

# INDUSTRIAL BUTTERFLY VALVES

Electric actuator



## INSTALLATION AND MAINTENANCE MANUAL

- PVC-U (EPDM/FPM)
- CPVC (EPDM/FPM)
- PPH (EPDM/FPM)



## Declaración de conformidad CE *EC Declaration of Conformity*

El fabricante / the manufacturer : **CEPEX S.A.U.**

Avinguda Ramon Ciurans 40 ( Parcel.la 6 )  
Polígon Industrial Congost  
08530 LA GARRIGA

Declara que nuevas válvulas / declares that our valves :

Tipo / type: **Válvulas de Mariposa / Butterfly valves**

Modelos / Models: **INDUSTRIAL and EXTREME SERIES**

Compuerta / Gate: **PVC-U / PVC-C / PPH / PVDF**

cumplen con los requisitos establecidos por la Unión Europea para EQUIPOS A PRESIÓN según Directiva 97/23/CE (PED), categoría II modulo A1, de acuerdo con las normas armonizadas :

- **EN ISO 16136 VALVULAS INDUSTRIALES - Válvulas de mariposa de materiales termoplásticos**

*meets the requirements established by the European Union for PRESSURE EQUIPMENT according to Directive 97/23/EC (PED), category II module A1, in accordance with the harmonized standards:*

- **EN ISO 16135 INDUSTRIAL VALVES – Butterfly valves of thermoplastics material.**

**La marca CE sobre la válvula hace referencia a esta conformidad. Según la directiva 97/23/CE solamente las válvulas mayores a DN25 pueden ir marcadas con CE.**

The CE marking on the valve refers to this conformity. According to Directive 97/23/EC only valves larger than DN25 can be marked with CE.

**Organismo certificador / Notified Body: TÜV NORD Systems GmbH & Co. KG**  
Große Bahnstrasse 31 , D-22525 Hamburg / Germany

N.º de identificación / identification number : **0045**



Yasmin Fernández  
Quality Management  
La Garriga, April 2015

<b>ENGLISH</b>	<b>PAGE 04</b>
<b>ESPAÑOL</b>	<b>PAGE 12</b>
<b>FRANÇAIS</b>	<b>PAGE 20</b>
<b>PORTUGUÊS</b>	<b>PAGE 28</b>
<b>ITALIANO</b>	<b>PAGE 36</b>
<b>DEUTSCH</b>	<b>PAGE 44</b>

**Important:** This instruction manual contains essential information regarding safety measures to be adopted when installing and starting up the equipment. It is therefore essential that the user reads these instructions before installing and starting to use this product.

Please read the instructions below carefully in order to get the best performance from you actuated valve.

These symbols    indicate potential danger if the advice set out here is not followed.



**DANGER.** Risk of electrocution. Failure to follow the advice set out here may result in electrocution.



**DANGER.** Failure to follow the advice set out here may result in personal harm or damage to the device.



**WARNING.** Failure to follow the advice set out here may result in damage to the automatic valve or device.

### GENERAL SAFETY ADVICE

The valves described in this manual are especially designed to ensure a correct circulation of the flow in all work phases.



Device should be installed in accordance with the specific instructions for each installation. All existing safety legislation should be respected at all times in order to avoid accidents.

Any modification to the electric actuator requires prior authorisation from the manufacturer. Spare parts and accessories authorised by the manufacturer are a guarantee of greater safety. The manufacturer of this actuated valve is exempt from all responsibility for damage arising from unauthorised spare parts and accessories.



The electrical and pneumatic parts of this device will have an electrical current running through them during operation. All work on the automatic valve and other related equipment should only be carried out after having first disconnected the start up mechanism. The user should ensure that all assembly and maintenance work is carried out by suitably authorised, qualified personnel, and that they have previously read the installation and service instructions set out in this manual.

Safe usage of this actuated valve can only be guaranteed by closely following the installation and service instructions set out here. Voltage and air pressure limits should not be exceeded under any circumstances.

In case of malfunction or breakdown, contact the nearest factory representative or technical assistance service department. Knocks should be avoided during transport, since they may damage the body and mechanism of the valve.

Store the valve in the original packaging, protected against humidity and direct sunlight.

### ELECTRIC BUTTERFLY VALVE WARNINGS

The maximum service life of the valve is specified in EN ISO 16136. This has been verified at the factory using ageing tests specified in the standard.

Correct installation and handling of the valve, as well as adherence to the maximum pressure and temperature conditions specified in this manual are essential in order to preserve the service life of the valve.

The liquid to be conducted must be compatible with the valve materials. Consult chemical resistance charts published by Cepex or consult the technical department.

The use of tools to open or close the manual valve control is not recommended.



Before carrying out any maintenance operations on the pipe or valve, ensure that the system has been depressurised by releasing the pressure and emptying the pipes, following the specific safety regulations for each product.

Before installation, check that the valve is undamaged and that it contains all the parts required for installation.

After long periods of inactivity, check the grease on the o-rings and follow the maintenance instructions set out in this manual. The grease must be compatible with the valve materials.

Rapid closure of valves should be avoided to eliminate the possibility of water hammer causing damage to the system.

When using the valve as the final element of an installation, the risks of the liquid should be taken into account and the pressure and temperature should be controlled, according to the safety standards for each product.



Make all connections following the instructions referring to electrical supply set out in this manual. Ensure that all cables are correctly connected.



If the box at the end of the run needs to be opened, when it is closed again, check that it is correctly positioned to avoid any contact with water. Also check that connectors are correctly positioned.

At all times, avoid contact, even accidental, with the motorised valve's moving parts during operation and/or before it has come to a complete standstill.



Ensure that the start-up mechanisms are blocked before beginning any electrical maintenance. The following steps should be followed before any modification to the motorised valve:

1.- Disconnect from the main supply.

2.- Block the system's start-up mechanisms.

3.- Make sure that no voltage is running through the circuits, including the auxiliary circuits and supplementary services.

All the above should be taken as indicative and not directly linked to the safety procedure as specific safety regulations may be in place in some cases.

**IMPORTANT:** As a result of the complexity of the subject, the installation, usage and maintenance instructions found in this manual are not designed to cover all imaginable service and maintenance scenarios. Should any further instructions be required or specific problems encountered, please do not hesitate to contact the distributor or valve manufacturer.

## 1. DEFINITION

Ball valve for isolating the flow in liquid handling systems.

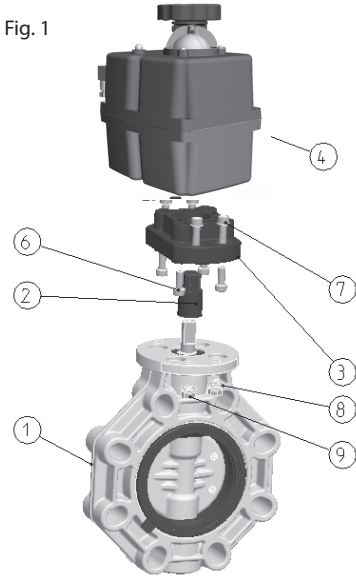
Design based on Standard EN ISO 16136 in accordance with Directive 97/23/EC.

The valve is available with PVC-U, CPVC and PPH discs and EPDM perox. and FPM sealing gaskets. The choice of material for the body and gaskets depends on the type of liquid to be carried and on the working temperature of the liquid, in accordance with the chemical resistance tables available on our website and the pressure/temperature chart in this Manual.

The electric actuator controls the positions of the valve (closed / open).

## 2. COMPONENTS

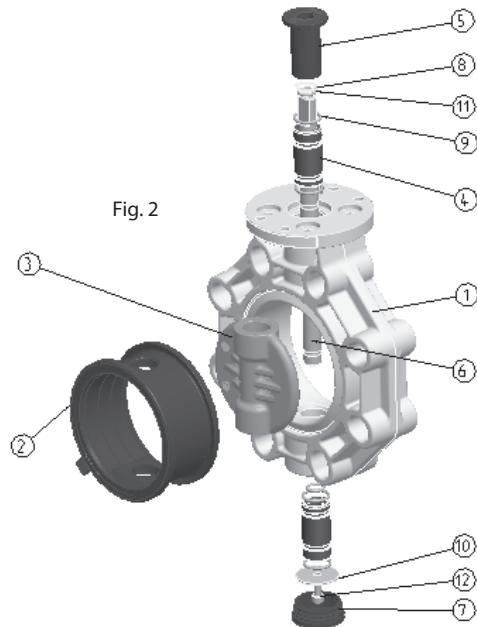
### 2.1 Actuated valve components



N	DESCRIPTION	MATERIAL	Q
1	Industrial Butterfly valve bare shaft	Body: PP-GR Disc: PVC-U/PP-H/CPVC	1
2	Coupling bush	Phosphochromate Aluminium (DN65-DN150) AISI-304 (DN200-DN300)	1
3	Mounting clamp	PP-GR	1
4	Electric actuator	PA housing	1
6	Screw DIN-912	Stainless steel AISI-304	4
7	Screw DIN-912	Stainless steel AISI-304	4
8	Washer DIN-925	Stainless steel AISI-304	4
9	Nut DIN-934	Stainless steel AISI-304	4

### 2.2 Valve components

N	DESCRIPTION	MATERIAL	DN50- DN200	DN250- DN300
1	Body	PP-GR	1	1
2	Sealing gasket	EPDM perox. / FPM	1	1
3	Disc	PVC-U / PPH / CPVC	1	1
4	Bearing	PP-GR	2	2
5	Auxiliary bearing	PP-GR	1	1
6	Shaft	Stainless steel AISI-630	1	1
7	Cap	PP	1	1
8	Ring DIN-471	Stainless steel AISI-304	1	1
9	O-ring	EPDM / FPM	4	8
10	Lower washer	Stainless steel AISI-304	1	1
11	O-ring	EPDM / FPM	2	4
12	Screw DIN-912	Stainless steel AISI-304	1	1



**3. BUTTERFLY VALVE**

**3.1 VERIFICATION OF VALVE TYPE**

On opening the packaging please check that the valve is the model ordered.

Check that the actuator model corresponds with the code number ordered. Make especially sure that the voltage indicated on the actuator label corresponds to that of your mains supply (actuators do not incorporate valves, meaning that incorrect voltage will cause irreparable damage to the device).

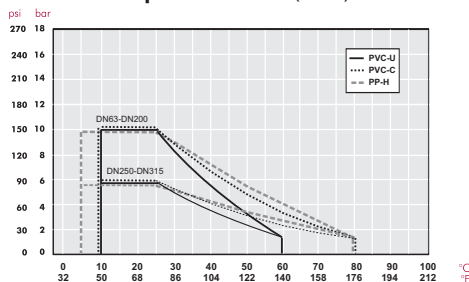
All valves are electrically and hydraulically tested in the factory. Valves will always be replaced in the event of any justifiable claim. For more technical information about the actuators, please refer to the instruction manuals attached to the valve documentation.

**3.2 GUARANTEE**

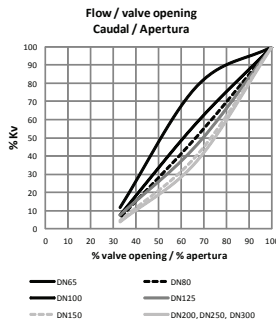
This equipment has been extensively tested in the factory, thus guaranteeing it is in perfect working condition. This guarantee will be applicable assuming the device has been properly installed and not used in an incorrectly. For this reason, this equipment must be installed by a suitably qualified person.

**3.3 TECHNICAL CHARACTERISTICS**

**Pressure / Temperature Chart. (G 3.1)**



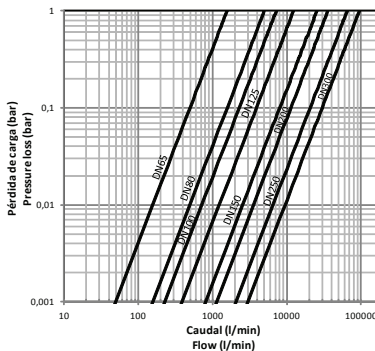
**Kv / % opening (G 3.2)**



**Pressure loss table (T3.1)**

D	DN	Kv (l/min)	Cv (GPM)
63-75 (2 1/2")	DN65	1568	110
90 (3")	DN80	4980	349
110 (4")	DN100	7212	505
125-140 (5")	DN125	12320	863
160 (6")	DN150	25447	1134
200-225 (8")	DN200	35778	2505
250 (10")	DN250	65222	4567
315 (12")	DN300	94660	6629

**Pressure loss chart (G 3.3)**



**Valve operating torque**

Operating torque values at rated pressure (PN) and 20 °C as supplied by default from the factory. Installation and operating conditions (pressure and temperature) may affect these values.

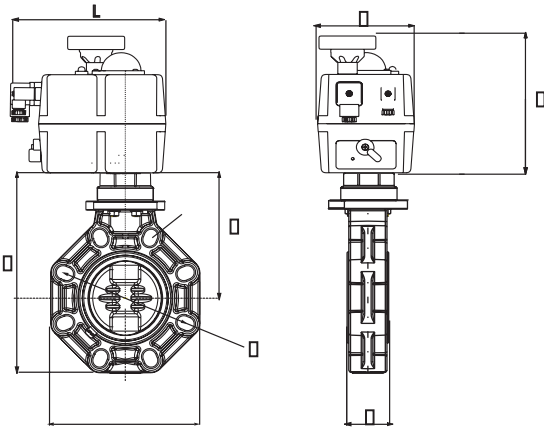
The actuator required for an automatic operation must be calculated according to some safety factors that were determined in tests carried out in the factory.

**Operating torque table (N·m) (T3.2)**

	DN65	DN80	DN100	DN125	DN150	DN200	DN250	DN300
N·m	25	28	35	85	110	110	180	250
lbf·inch	221	248	310	752	974	974	1593	2213

4. DIMENSIONS

Fig. 3



DN	A	B	E	F	H	K	HOLES
65	201	156	120	18	48	125-145	4
80	232	190	136	19	52	150-170	8
100	255	212	148	19	59	180-192	8
125	284	238	164	22	66	190-215	8
150	314	265	180	24	72	240	8
200	378	320	217	23	73	270-298	8
250	450	453	310	29	114	329-355	12
300	545	477	310	29	114	384-427	12

See the actuator and limit switch manuals to check the dimensions M, N and L.

Actuator coupling dimensions (T4.2)

DN	ISO FLANGE	SQUARE (mm)
65	F07	17
80	F07	17
100	F07	17
125	F07	17 / 22
150	F07	17 / 22
200	F07/F10	17 / 22
250	F07/F10/F12	22 / 27
300	F07/F10/F12	22 / 27

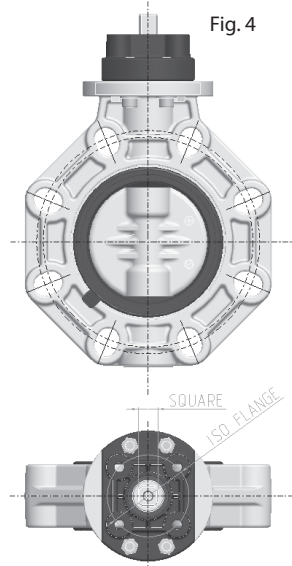


Fig. 4

Valve design	Flanged dimensions	Valve connections	Other connections	Actuator coupling
ISO 16136: 2005	EN 558-1, ANSI B16.5 Class 150, JIS B2220, BS/E	EN 1090-1	ISO15494, ISO15493, ISO10931	EN/ISO 5211, NAMUR

**5. INSTALLATION AND COMMISSIONING**

Before starting the installation process, check that all the parts needed for the valve assembly are there, and that the materials, connection type and nominal pressure are suitable for the installation. For solvent or welded connections, ensure also that the parts to be connected are of the same material and that the correct solvent or welding tools are used.

To install the valve, follow best installation practice recommendations provided on the Cepex website, paying specific attention to thermal expansion and pipe alignment.

When filling the pipes with liquid, check that all the air has been purged from the system and that the initial pressure does not exceed the nominal pressure of the valve, or of the system element with the lowest nominal pressure rating.

Valve assembly using standard ISO-DIN, ANSI, JIS and BS/E flanges. Flat gaskets are not needed in the socket couplings, as they are incorporated in the valve itself. Observe the tightening sequence of the screws on the flanges (Fig. 6) and the maximum tightening torque. All screws must be used in the flange in order to ensure proper operation of the valve.

The PP/PE sockets for butt welding must be chamfered as indicated in the diagram (Fig. 7) and table (T5.2), to ensure correct opening and closing of the disc.

Install the valve once the sockets are solvent-bonded and dry, to avoid problems with the adhesive (entry of the latter into the valve).

Flanges must be well centred on the valve (pay special attention to measurements DN100-DN125 and DN200). Misalignment on assembly could cause problems with the valve operation.

Fig. 5

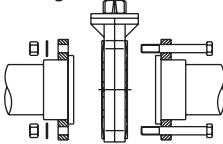
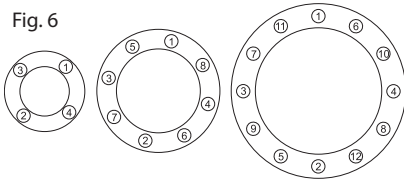


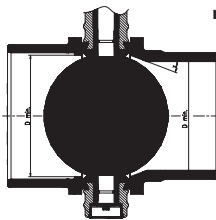
Fig. 6



**Screws and screw tightening torque**

D	DN	inch	Screws (A2)	Torque (N-m)	Torque (inch-lbs)
63	50	-	4xM16x120	25	221
75	65	2 1/2"	4xM16x140	25	221
90	80	3"	8xM16x150	25	221
110	100	4"	8xM16x160	30	265
125	125	-	8xM16x170	35	310
140	125	5"	8xM16x170	35	310
160	150	6"	8xM20x200	40	354
200	200	-	8xM20x210	50	442
225	200	8"	8xM20x230	50	442
250	250	-	12xM20x270	80	708
280	250	10"	12xM20x270	80	708
315	300	12"	12xM20x310	80	708

Fig. 7 PP/PE sockets



**Pipe and chamfer measurements**  
T 5.2

DN	D min.	x
65	50.5	30°
80	70	30°
100	91.5	30°
125	113	30°
150	141	30°
200	191.5	20°
250	226	20°
300	296.5	20°



## 6. OPERATION OF THE ACTUATOR

The motorised valve consists of an electronic actuator mounted on a conventional valve.

**OPERATION.** When an electric signal is received, the motor turns to either "OPEN" or "CLOSE" depending on the switching signal until the internal cam connects to the microswitch, bringing the motor to a stop. When it receives an electric signal again, the motor will turn in the opposite direction.

- Reversible monophase motor with visual position indicator and exit signal.
- Applications: In 90° turns (or 180° in the case of the three-way ball valve).
- Both AC and DC power supply. Both positions possible with the same actuator. Always follow the connection diagram on the actuator label.
- Emergency manual operation. The motor will be automatically disconnected by putting the lever in the M (Manual) position.
- Additional auxiliary contacts for transmission position signal.
- **WARNING.** Do not connect low voltage actuators to higher voltage sources. Similarly do not connect high-voltage actuators to lower voltage sources. Actuators do not have fuses and incorrect voltages can cause irreparable damage to the device.

### J+J Characteristics

- Thermostat controlled temperature: Incorporation of a thermostat-controlled 4W heating system, working temperature between 20°C and 30°C (68°F to 86°F). In order for the system to work correctly it is important to keep the voltage running through the actuator.
- **Safety:** The actuator features an automatic electronic cut-off system in case the maximum torque is exceeded. Should this happen, the device may be manually operated using the handle on the actuator.
- A permanently lit internal LED indicates that the actuator is working correctly. If it starts flashing, this means something is wrong and the power supply to the actuator will automatically switch off.

Optional accessories:

- Digital positioning System
- Safety block. Independent terminal providing power supply to the actuator in the event of power failure.

### 5.1 COMPLIANCE TO STANDARDS

J+J Actuator

ISO 5211 - DIN 3337 (valve connection) EN 60204 (safety)

EN 50081-1 / EN 50081-2 / EN 50082-1 / EN 50082-2 / EN 61000-4-2 / EN 61000-4-3 / EN 61000-4-4 / EN 61000-4-5 / EN 61000-4-6 / EN 61000-4-11 (electromagnetic compatibility)

Valves Actuator:

ISO 5211 - DIN 3337 (valve connection)

EN 61000-6-2 / EN 61000-6-4 (electromagnetic compatibility) EN 60947-1 (1999) (low-voltage equipment)

**7. OPERATION AND MAINTENANCE INSTRUCTIONS**

It is recommended that the condition of the sealing gasket be regularly checked, since it may show signs of mechanical wear due to pressure, handling and contact with the liquid. The sealing gasket should be greased in the disc contact area (the grease must be compatible with the materials of the gasket and the disc). It is also advisable to regularly check that the flange fixing nuts are tightened correctly, as per the recommended torque values specified above (T5.1). Periodic movement should be carried out to avoid the locking of the valve during long periods of time when it is in a closed position. It is advisable that the liquid be passed through before the valve is manoeuvred.

**7.1 REPLACING THE SEALING GASKET**

If the sealing gasket needs to be replaced, proceed as follows:

- Ensure that the system is depressurised by releasing the pressure and emptying the pipes, following the specific safety regulations for each product. Also check the temperature of the liquid and follow safety standards for temperature.
- Remove the valve from the installation.
- Remove the handle, screws (20), nuts (21) and throttle plate (17).
- Remove the ring (8). Take off the cap (7) and remove the screw (12).
- Tap on the shaft (6) with a rubber mallet until the bearing (4) is exposed from the bottom (Fig. 11).
- Once the bearing is out, remove the shaft (6), turn it and re-insert it (Fig. 12) from the bottom.
- Tap again until the bearings (4 and 5) emerge from the top. Remove the shaft again.
- Remove the disc by pressing in the direction of the liquid flow.
- Remove the sealing gasket. Fit the new sealing gasket; it needs to be folded and positioned so that it lines up with the shaft, according to the gasket indicator tab (Fig. 13).

**WARNING:** Before installing the new gasket, check the condition of the O-rings (9 and 11).

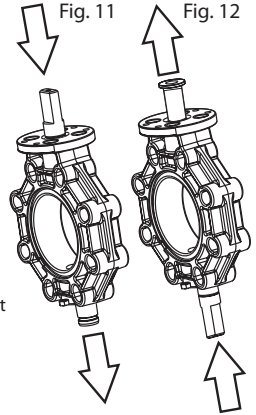
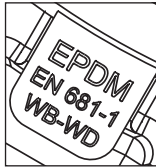


Fig. 13



**8. MOUNT AND DISMANTLE THE ACTUATOR**

If the actuator or the valve needs to be replaced, proceed as follows:

1. Move the butterfly valve to the closed position.
2. Depressurise and drain the plant or the plant component.
3. Depressurise the control medium.
4. Remove the control medium line(s) from the actuator.
5. Remove the screws, the washers and the nuts (7, 8 and 9, Fig. 1).
6. Remove the assembly of the pneumatic actuator (4) with the mounting clamp (5) from the bare shaft valve (Fig. 14).
7. Remove the screws (6) in order to dismantle the actuator from the mounting clamp.
8. In case the actuator needs to be replaced by a handle, also remove the coupling bush (4 Fig.1).

In order to assemble a new actuator or a new valve, proceed in the opposite direction to the description above.

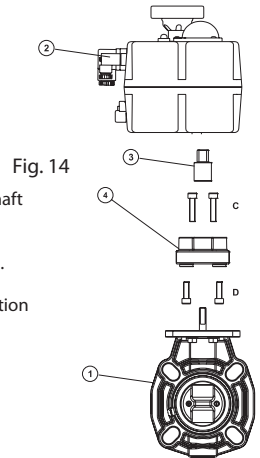


Fig. 14

## 9. SPARE PARTS




DN	VALVE	KIT	JJ ACT.		KIT	VALPES ACT.	
			12-48V	80-240V		100-240V	15-30V
DN50-DN65	SEE TECHNICAL CATALOG TO KNOW THE SPECIFIC CODE	57498	30672	30677	46669	30683	30693
DN80		35901	30672	30677	46670	30683	30693
DN100		35901	46653	46654	46670	30683	30693
DN125		35904	30673	30678	54591	30684	30694
DN150		35904	30673	30678	54591	30684	30694
DN200		35908	30674	30679	35908	30685	30695
DN250		35912	30674	30679	35912	30685	30695
DN300		35912	30674	30679	35912	30685	30695




## 10. TROUBLESHOOTING T 9.1

FAULT	POSSIBLE CAUSE	FAULT CLEARANCE
The disc does not fully open or close.	The sockets were not correctly bevelled.	Disassemble the valve and bevel the sockets as indicated in table T5.2.
	Foreign materials in the compartment (adhesive, etc.).	Disassemble the valve and check for obstructions in the disc and gasket contact area.
Excessive opening or closing torque.	The valve has been inactive for a long time.	Operate with an auxiliary release key (not the plastic handle). Disassemble the valve and lubricate the sealing gasket.
	High temperatures or chemicals can cause damage to the gasket.	Check the chemical compatibility of the liquid with the disc and the working temperature. Replace the gasket.
	Excessive flange torque.	Tighten flanges as indicated in table T5.1.
	Misalignment between sockets and valve.	Disassemble the valve and reassemble with concentric alignment (observe the correct tightening sequence and torque).
The valve is not completely watertight in the sockets.	Misalignment between sockets and valve.	Disassemble the valve and reassemble with concentric alignment (observe the correct tightening sequence and torque).
	Flange screws not tight enough.	Tighten flanges as indicated in table T5.1.
The valve is not completely watertight at the sealing gasket.	Inadequate chemical resistance.	Check compliance with the specifications in this document.
	Temperature out of range.	Replace the gasket.
The valve does not open or close.	Lack of current.	Check power supply to the actuator.
The valve does not close completely.	The actuator stroke is not well adjusted to the valve.	Check adjustment limits according to the actuator manual.
	The torque of the valve has increased above the calculated value.	Check the valve: obstructions in the disc or malfunction of the valve.

**Importante:** Este manual de instrucciones contiene información esencial concerniente a medidas de seguridad a adoptar en la instalación y puesta en marcha el equipo. Por tanto, es importante que el usuario lea estas instrucciones antes de instalar y usar este producto.


Para obtener el mejor funcionamiento de la válvula actuada, es recomendable leer con atención las siguientes instrucciones.

Estos símbolos    indican peligro potencial si no se siguen las recomendaciones aquí indicadas.

-  PELIGRO. Riesgo de electrocución. No seguir las recomendaciones puede provocar electrocución.
-  PELIGRO. No seguir las recomendaciones puede provocar daños personales o daños al equipo.
-  ADVERTENCIA. No seguir las recomendaciones puede provocar daños a la válvula automática o al equipo.


### RECOMENDACIONES GENERALES DE SEGURIDAD

Las válvulas descritas en este manual han sido especialmente diseñadas para asegurar la correcta circulación del flujo en todas las fases de trabajo.

 El equipo debe ser instalado de acuerdo con instrucciones específicas. Las advertencias de seguridad deben ser respetadas en todo momento.

Cualquier modificación del actuador requiere una autorización previa del fabricante. Los recambios y accesorios autorizados son una garantía de mayor seguridad.

El fabricante de la válvula motorizada renuncia cualquier responsabilidad derivada del daño causado por el uso de recambios o accesorios no autorizados.

 Durante la operación, las partes eléctricas o electrónicas reciben voltaje. Trabajar en la válvula automática u otro equipo relacionado sólo puede ser ejecutado después de haber desconectado el mecanismo de arranque.

El usuario debe asegurarse que los trabajos de montaje y mantenimiento siempre son realizados por personal autorizado y cualificado, y que éste ha leído atentamente las instrucciones de instalación y servicio contenidas en este manual.

La seguridad de funcionamiento de esta válvula actuada sólo puede ser garantizada con el cumplimiento estricto de las instrucciones de instalación y servicio. Las limitaciones de voltaje no pueden ser sobrepasadas en ninguna circunstancia.

En caso de defectos de funcionamiento o avería, contactar con el representante de fábrica más cercano o el servicio de asistencia técnica de fábrica. Evitar golpes durante el transporte, ya que éstos pueden dañar el cuerpo o el mecanismo de la válvula.

Almacenar la válvula en su embalaje original, proteger contra la humedad y la exposición directa al sol.


### ADVERTENCIAS DE LA VÁLVULA DE BOLA ELÉCTRICA

La vida máxima de servicio de la válvula está especificada en la norma EN ISO 16136. Ésta ha sido verificada en fábrica con pruebas de envejecimiento especificadas en la norma.

La correcta instalación y manejo de la válvula, así como el cumplimiento de las condiciones de presión máxima y temperatura especificadas en este manual son esenciales para preservar la vida de la válvula.

El líquido conducido debe ser compatible con los materiales de la válvula. Consultar la tabla de resistencia química publicado en la website de Cepex o consultar con el departamento técnico.


No es recomendado el uso de herramientas para abrir o cerrar el control manual de la válvula.

 Antes de llevar a cabo operaciones de mantenimiento en la tubería o la válvula, asegurarse que el sistema está despresurizado liberando la presión y vaciando las tuberías, siguiendo las regulaciones de seguridad específicas de cada elemento.


Antes de la instalación, comprobar que la válvula no ha sufrido daños y que contiene todas las partes necesarias para la instalación. Después de largos periodos de inactividad, comprobar la grasa de las juntas y seguir las instrucciones de mantenimiento contenidas en este manual. La grasa debe ser compatible con los materiales de la válvula.


Es importante evitar el cierre rápido de las válvulas para eliminar la posibilidad de golpes de ariete que causen daño al sistema.

Cuando se usa la válvula como elemento final de una instalación, tener en cuenta los riesgos del líquido y controlar la presión y la temperatura, de acuerdo con los estándares de cada producto.

 Realizar todas las conexiones siguiendo la instrucción referida al suministro eléctrico contenida en este manual. Asegurarse que todos los cables están correctamente conectados.


En caso de necesitar abrir la caja a final de carrera, al cerrarla de nuevo, comprobar que está posicionada correctamente para evitar cualquier contacto con el agua. También comprobar que los conectores están situados correctamente.

 En todo momento, evitar contacto, incluso accidental, con las partes móviles de la válvula actuada durante la operación y/o antes de que haya llegado al cierre completo.

 Antes de empezar cualquier mantenimiento eléctrico, asegurarse que los mecanismos de arranque están bloqueados. Es recomendable seguir los siguientes pasos antes de cualquier alteración de de la válvula actuada:

- 1.- Desconectar del suministro general.
- 2.- Bloquear los sistemas de arranque del sistema.
- 3.- Asegurarse que no hay voltaje corriendo a través de los circuitos, incluyendo circuitos auxiliares y servicios suplementarios.

Todo lo indicado anteriormente debe ser tomado como indicativo y no y no directamente ligado a procedimientos de seguridad, ya que en algunos casos puede haber normas de seguridad específicas.

 **IMPORTANTE:** Como resultado de la complejidad del sujeto, las instrucciones de instalación, uso y mantenimiento contenidas en este manual no están designadas para cubrir cualquier escenario imaginable de servicio y mantenimiento. Si requiere otras instrucciones o se encuentra con problemas específicos, por favor no dude en contactar con su distribuidor o el fabricante de la válvula.

## 1. DEFINICIÓN

Válvula de mariposa para interrumpir el paso del flujo en sistemas de conducción de fluidos. El líquido puede circular en ambas direcciones.

Diseño basado en EN ISO 16136 Standard de acuerdo con 97/23/EC Directive.

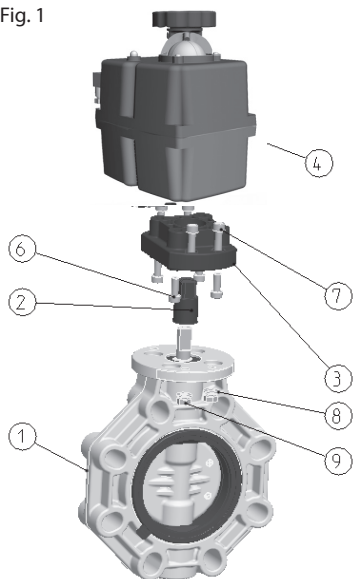
La válvula está disponible con el disco en PVC-U/CPVC y PP-H y juntas en EPDM perox. o FPM. La elección de material del cuerpo y los juntas dependerá del tipo de líquido a transportar y de la temperatura de trabajo del líquido, de acuerdo con las tablas de resistencia química disponibles en nuestra website y los gráficos de presión/temperatura incluidos en este manual.

El actuador eléctrico controla las posiciones de la válvula (cerrada / abierta).

## 2. COMPONENTES

### 2.1 Componentes de la válvula actuada

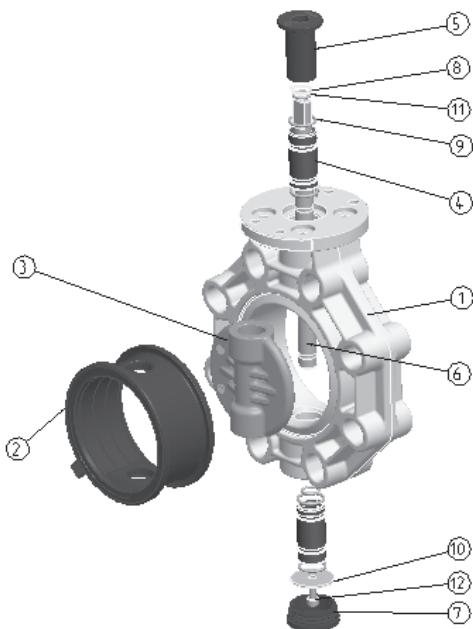
Fig. 1



N	DESCRIPCIÓN	MATERIAL	Q
1	Válvula de mariposa industrial	Cuerpo: PP-GR Disco: PVC-U/PP-H/CPVC	1
2	Casquillo de conexión	Aluminio phosphochromado (DN65-DN150) AISI-304 (DN200-DN300)	1
3	Brida de fijación	PP-GR	1
4	Actuador eléctrico	Caja en PA	1
6	Tornillo DIN-912	INOX AISI-304	4
7	Tornillo DIN-912	INOX AISI-304	4
8	Arandela DIN-925	INOX AISI-304	4
9	Tuerca DIN-934	INOX AISI-304	4

### 2.2 Componentes de la válvula

N	DESCRIPCIÓN	MATERIAL	DN50- DN200	DN250- DN300
1	Cuerpo	PP-GR	1	1
2	Junta cuerpo	EPDM perox. / FPM	1	1
3	Compuerta	PVC-U / PPH / CPVC	1	1
4	Casquillo guía	PP-GR	2	2
5	Casquillo guía	PP-GR	1	1
6	Eje	INOX AISI-630	1	1
7	Tapón	PP	1	1
8	Anilla DIN-471	INOX AISI-304	1	1
9	Junta eje	EPDM / FPM	4	8
10	Arandela	INOX AISI-304	1	1
11	Junta eje	EPDM / FPM	2	4
12	Tornillo DIN-912	INOX AISI-304	1	1



### 3. VÁLVULA DE MARIPOSA

#### 3.1 VERIFICACIÓN DEL TIPO DE VÁLVULA

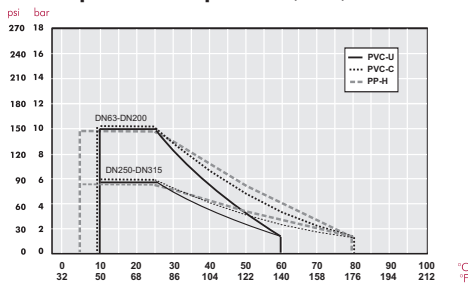
Al abrir el embalaje, comprobar que la válvula es el modelo que usted pidió. Comprobar que el modelo del actuador corresponde con el código pedido. Prestar especial atención a que el voltaje indicado en la etiqueta del actuador se corresponde a su suministro eléctrico (un voltaje incorrecto puede causar daños irreparables al equipo). Todas las válvulas están eléctricamente e hidráulicamente comprobadas en fábrica. Las válvulas siempre serán sustituidas ante alguna causa justificable.

#### 3.2 GARANTÍA

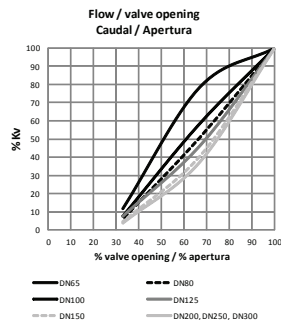
Este equipo ha sido extensivamente probado en fábrica a fin de garantizar que esté en perfectas condiciones de trabajo. Esta garantía será aplicable asumiendo que la válvula ha sido correctamente instalada y no ha sido usada de manera incorrecta. Por esta razón, el equipo debe ser instalado por personal cualificado.

#### 3.3 CARACTERÍSTICAS TÉCNICAS

**Gráfico presión / temperatura (G 3.1)**



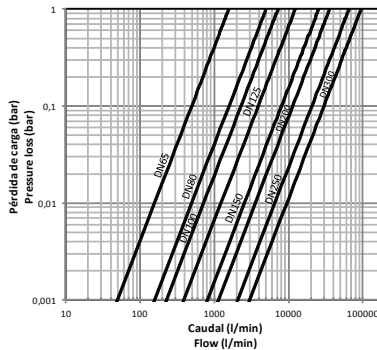
**Kv / % apertura (G 3.2)**



**Tabla pérdidas de carga (T3.1)**

D	DN	Kv (l/min)	Cv (GPM)
63-75 (2 1/2")	DN65	1568	110
90 (3")	DN80	4980	349
110 (4")	DN100	7212	505
125-140 (5")	DN125	12320	863
160 (6")	DN150	25447	1134
200-225 (8")	DN200	35778	2505
250 (10")	DN250	65222	4567
315 (12")	DN300	94660	6629

**Gráfico pérdidas de carga (G 3.3)**



#### Par de apertura de la válvula

Par de apertura a presión nominal (PN) y 20 °C tal cómo viene directamente de fábrica. La instalación y condiciones de trabajo (presión y temperatura) pueden afectar a estos valores.

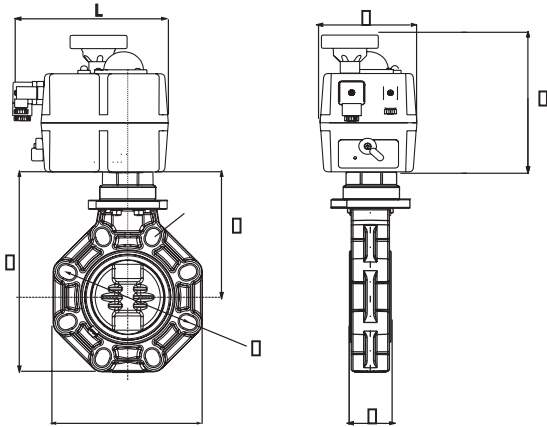
El actuador requerido para operación automática debe ser calculado de acuerdo a algunos factores de seguridad que han sido determinados en ensayos llevados a prueba en fábrica.

**Tabla par de maniobra (N·m) (T3.2)**

	DN65	DN80	DN100	DN125	DN150	DN200	DN250	DN300
N·m	25	28	35	85	110	110	180	250
lbf·inch	221	248	310	752	974	974	1593	2213

4. DIMENSIONES

Fig. 3



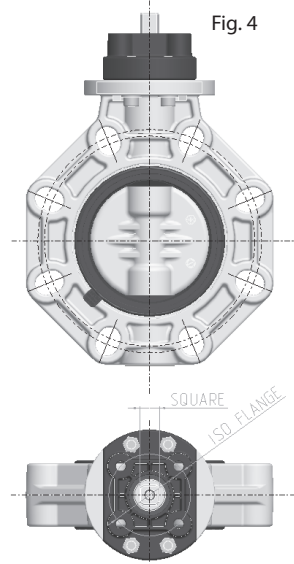
T 4.1(mm)

DN	A	B	E	F	H	K	HOLES
65	201	156	120	18	48	125-145	4
80	232	190	136	19	52	150-170	8
100	255	212	148	19	59	180-192	8
125	284	238	164	22	66	190-215	8
150	314	265	180	24	72	240	8
200	378	320	217	23	73	270-298	8
250	450	453	310	29	114	329-355	12
300	545	477	310	29	114	384-427	12

Ver el manual del actuador para las dimensiones M, N y L.

Dimensiones de acople del actuador (T4.2)

DN	ISO FLANGE	SQUARE (mm)
65	F07	17
80	F07	17
100	F07	17
125	F07	17 / 22
150	F07	17 / 22
200	F07/F10	17 / 22
250	F07/F10/F12	22 / 27
300	F07/F10/F12	22 / 27



Diseño de válvula	Dimensiones brida	Uniones válvula	Otras uniones	Acople actuador
ISO 16136: 2005	EN 558-1, ANSI B16.5 Class 150, JIS B2220, BS/E	EN 1090-1	ISO15494, ISO15493, ISO10931	EN/ISO 5211, NAMUR

**5. INSTALACIÓN**

Antes de empezar el proceso de instalación, comprobar que dispone de todas las partes necesarias, y que los materiales, tipo de conexión y presión nominal son adecuadas para el sistema.

Para uniones encoladas o soldadas, asegurarse también que las partes a conectar son del mismo material y que está usando el adhesivo o herramientas de soldar correctos.

Para instalar la válvula, seguir las recomendaciones de instalación correcta proporcionadas en la website de Cepex, prestando particular atención a la expansión termal y alineación de tubería.

Al llenar las tuberías con líquido, comprobar que todo el aire ha sido purgado del sistema y que la presión inicial no supera la presión de trabajo de la válvula, o del elemento del sistema con la menor presión nominal.

El montaje de la válvula se realizará usando bridas con standard ISO-DIN, ANSI, JIS o BS/E. **No es necesario usar junta plana para los manguito portabridas, ya que está incorporada en la válvula.** Observar la secuencia de apriete de los tornillos en las bridas (Fig. 6) y el par máximo de apriete. Es importante que se usen todos los tornillos en la brida para asegurar un mejor funcionamiento de la válvula.

Los manguitos en PP/PE para soldadura a tope deben ser chaflanados tal como indica el gráfico (Fig. 7) y la tabla (T5.2), para asegurar la correcta apertura y cierre de la compuerta.

Instalar la válvula una vez los manguitos de unión han sido encolados y se ha pasado el tiempo de secado, para evitar problemas con el adhesivo (entrada en el cuerpo de la válvula).

Las bridas deben estar bien centradas en la válvula (prestar atención especial a las medidas DN100-DN125 y DN200). Una desalineación en la instalación puede causar problemas con el funcionamiento de la válvula.

Fig. 5

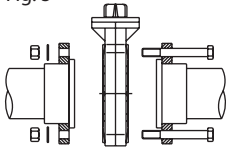
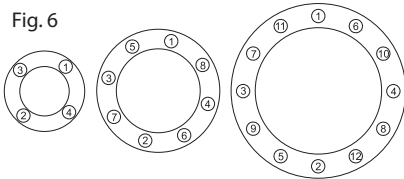


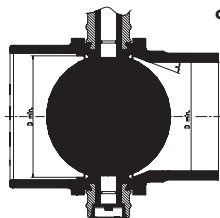
Fig. 6



**Tornillos y par de apriete**

D	DN	inch	Screws (A2)	Torque (N·m)	Torque (inch·lbs)
63	50	-	4xM16x120	25	221
75	65	2 1/2"	4xM16x140	25	221
90	80	3"	8xM16x150	25	221
110	100	4"	8xM16x160	30	265
125	125	-	8xM16x170	35	310
140	125	5"	8xM16x170	35	310
160	150	6"	8xM20x200	40	354
200	200	-	8xM20x210	50	442
225	200	8"	8xM20x230	50	442
250	250	-	12xM20x270	80	708
280	250	10"	12xM20x270	80	708
315	300	12"	12xM20x310	80	708

Fig. 7 PP/PE



**Medidas de chaflán**

T 5.2

DN	D mín.	x
65	50.5	30°
80	70	30°
100	91.5	30°
125	113	30°
150	141	30°
200	191.5	20°
250	226	20°
300	296.5	20°



## 6. FUNCIONAMIENTO DEL ACTUADOR

La válvula actuada consiste en un actuador electrónico montado en una válvula convencional.

**OPERACIÓN** Al recibir un señal eléctrico, el motor gira a la posición "ABIERTO" o "CERRADO" dependiendo de la señal del interruptor hasta que la leva interna conecta con el microswitch, dando la señal de paro al motor. Cuando vuelve a recibir otra señal eléctrica, el motor gira en dirección contraria.

- Motor reversible monofase con indicador visual de posición y señal de salida.

- Aplicación: Giro de 90° (o 180° en el caso de válvula de bola de 3 vías).

- Disponible en configuración AC o DC. Ambas posiciones disponibles en el mismo actuador. Seguir el diagrama de conexión en la etiqueta del actuador.

- Operación manual de emergencia. Posicionando la palanca en M (Manual) automáticamente desconectará el motor.

- Contactos adicionales auxiliares para señal de transmisión de posición.

- ADVERTENCIA. No conectar nunca actuadores de bajo voltaje a fuentes de alto voltaje. Igualmente, no conectar actuadores de alto voltaje a fuentes de bajo voltaje. El actuador no funcionará y puede causar daños irreparables en el equipo.

### Características J+J

- Temperatura controlada por termostato: Incorporación de un sistema de calefacción controlado por termostato de 4W, asegura una temperatura de trabajo entre 20°C y 30°C (68°F a 86°F). Para que el sistema funcione correctamente es importante mantener el voltaje en funcionamiento a través del actuador.

- Seguridad: El actuador cuenta con un sistema automático electrónico de cierre en caso de que el par máximo sea excedido. En caso de esta circunstancia, el equipo puede ser operado manualmente a través del volante en el actuador.

- Un LED interno en funcionamiento permanente indica que el actuador funciona correctamente. Cuando empieza a parpadear, significa alguna irregularidad y automáticamente la alimentación del actuador se desconecta.

Accesorios opcionales:

- Sistema posicionador digital

- Bloque de seguridad. Batería independiente que proporciona corriente al actuador en caso de fallo de suministro.

### 5.1 CUMPLIMIENTO DE STANDARDS

Actuador J+J

ISO 5211 - DIN 3337 (conexión a válvula) EN 60204 (seguridad)

EN 50081-1 / EN 50081-2 / EN 50082-1 / EN 50082-2 / EN 61000-4-2 / EN 61000-4-3 / EN 61000-4-4 / EN 61000-4-5 / EN 61000-4-6 / EN 61000-4-11 (compatibilidad electromagnética)

Actuador Valves:

ISO 5211 - DIN 3337 (conexión a válvula)

EN 61000-6-2 / EN 61000-6-4 (compatibilidad electromagnética) EN 60947-1 (1999) (equipo de bajo voltaje)

## 7. OPERACIÓN E INSTRUCCIONES DE MANTENIMIENTO

Se recomienda comprobar regularmente la condición de la junta del cuerpo, ya que puede mostrar signos de fatiga mecánica debido a la presión o al contacto con el líquido. La junta del cuerpo debe ser engrasada en el área de contacto con la compuerta (la grasa debe ser compatible con los materiales de la junta y de la compuerta). También es recomendable comprobar regularmente que las tuercas de fijación de la brida están apretados correctamente, tal como se muestra en la tabla de par de apriete (T5.1).

Se recomienda forzar el movimiento periódico para evitar el bloqueo de la válvula en largos periodos de tiempo con la compuerta en posición cerrada. Es recomendable hacer pasar líquido antes de maniobrar la válvula.

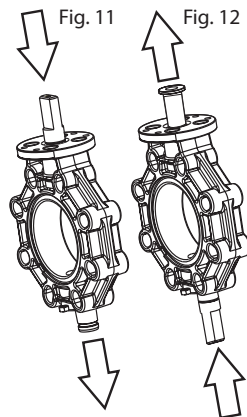
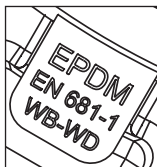
### 7.1 REEMPLAZO DE LA JUNTA DEL CUERPO

Si es necesario reemplazar la junta del cuerpo, proceder de la siguiente manera:

- Asegurarse que el sistema está despresurizado quitando la presión y vaciando las tuberías, seguir las instrucciones de seguridad específicas para cada producto. Comprobar también la temperatura del líquido para seguir los estándares de seguridad de temperatura.
- Retirar la válvula de la instalación.
- Retirar la maneta, los tornillos (20), tuercas (21) y conjunto divisor (17).
- Retirar la anilla (8). Retirar el tapón (7) y el tornillo (12).
- Golpear el eje (6) con una maza de goma hasta que el casquillo (4) aparezca por la parte inferior de la válvula (Fig. 11).
- Una vez haya salido el casquillo, retirar el eje (6), girarlo y volver a insertarlo (Fig. 12) por la parte inferior de la válvula.
- Golpear de nuevo hasta que los casquillos (4 y 5) emerjan por la parte superior. Retirar el eje de nuevo.
- Retirar la compuerta presionando en el sentido del paso del flujo.
- Retirar la junta del cuerpo. Posicionar la nueva junta; será necesario doblarla y alinear los agujeros con el eje, de acuerdo a la lengüeta de la junta (Fig. 13).

ADVERTENCIA: Antes de instalar la nueva junta, comprobar la condición de las juntas del eje (9 y 11).

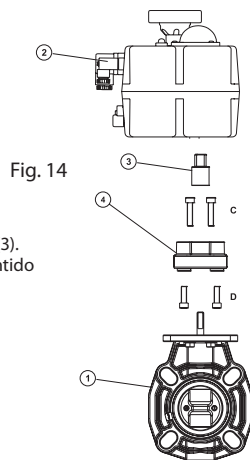
Fig. 13



## 8. MONTAJE Y DESMONTAJE DEL ACTUADOR

Si es necesario reemplazar el actuador o la válvula, proceder de la siguiente manera:

1. Mover la válvula de mariposa a posición cerrada.
  2. Despresurizar y drenar el sistema.
  3. Despresurizar el medio de control.
  4. Retirar las líneas del medio de control del actuador.
  5. Retirar los tornillos, arandelas y tuercas (7, 8 y 9, Fig. 1).
  6. Retirar el actuador (4) y la brida de fijación (5) de la válvula (Fig. 14).
  7. Retirar los tornillos (6) para desmontar el actuador de la brida de fijación.
  8. En caso de querer sustituir el actuador por una maneta, retirar también el casquillo de conexión (3).
- Para montar un nuevo actuador o una nueva válvula, proceder a realizar los pasos anteriores en sentido contrario.



9. RECAMBIOS




DN	VÁLVULA	KIT	JJ ACT.		KIT	VALPES ACT.	
			12-48V	80-240V		100-240V	15-30V
DN50-DN65	VER CATÁLOGO TÉCNICO PARA CÓDIGOS CONCRETOS	57498	30672	30677	46669	30683	30693
DN80		35901	30672	30677	46670	30683	30693
DN100		35901	46653	46654	46670	30683	30693
DN125		35904	30673	30678	54591	30684	30694
DN150		35904	30673	30678	54591	30684	30694
DN200		35908	30674	30679	35908	30685	30695
DN250		35912	30674	30679	35912	30685	30695
DN300		35912	30674	30679	35912	30685	30695

10. SOLUCIÓN DE PROBLEMAS T 9.1

PROBLEMA	POSIBLE CAUSA	SOLUCIÓN
La compuerta no abre o cierra completamente.	Los manguitos no han sid correctamente chaflanados.	Desmontar la válvula y chaflanar los manguitos como se indica en la tabla T5.2.
	Materiales extraños en el compartimento (adhesivo, etc.).	Demontar la válvula y comprobar si hay obstrucciones en el área de contacto entre la compuerta y la junta.
Par excesivo de apertura o cierre.	La válvula ha estado inactiva un largo período de tiempo.	Manipular con una llave auxiliar (no la maneta de plástico). Desmontar la válvula y lubricar la junta.
	Altas tempraturas o productos químicos pueden dañar el material de la junta.	Comprobar la compatibilidad química y la temperatura de trabajo de los materiales. Reemplazar la junta.
	Par excesivo de la brida.	Apretar las bridas omo indica la tabla T5.1.
	Desalineación entre manguitos y válvula.	Desmontar la válvula y volver a montar con alineamiento concéntrico (observar el apriete y secuancia correctos).
No hay estanqueidad completa entre la válvula y los manguitos.	Desalineación entre manguitos y válvula.	Desmontar la válvula y volver a montar con alineamiento concéntrico (observar el apriete y secuancia correctos).
	Par insuficiente de la brida.	Apretar las bridas omo indica la tabla T5.1.
No hay estanqueidad completa en la junta del cuerpo.	Resistencia química inadecuada. Temperatura fuera de rango. Exceso de presión. Elementos abrasivos.	Comprobar el cumplimiento de especificaciones en este documento.
	Junta dañada.	Reemplazar la junta.
La válvula no abre o no cierra.	Falta de corriente.	Comprobar la fuente de alimentación del actuador.
La válvula no cierra completamente.	El par del actuador no está bien ajustado con el de la válvula.	Comprobar los ajustes de acuerdo con el manual del actuador.
	El par de la válvula ha crecido por encima del valor calculado.	Comprobar la válvula: obstrucciones en la bola o mal funcionamiento.

**Important :** Le présent manuel d'instructions contient des informations importantes relatives aux mesures de sécurité qu'il faut suivre lors de l'installation et la mise en marche du matériel. Il est par conséquent important pour l'utilisateur de lire ces instructions avant l'installation et la mise en marche du présent produit.

Veillez lire attentivement les instructions ci-dessous afin de profiter des performances optimales de votre robinet avec actionneur.

Les symboles suivants    indiquent un danger potentiel si les présentes instructions ne sont pas respectées.

**DANGER.** Risque d'électrocution. Vous risquez d'être électrocuté si vous ne respectez pas les présentes instructions.



**DANGER.** Le non-respect des présents conseils peut occasionner des dommages corporels ou à l'appareil.



**MISE EN GARDE.** Vous risquez d'endommager le robinet ou le dispositif automatique si vous ne respectez pas les présentes instructions.



### CONSIGNES GENERALES DE SECURITE

Les robinets présentés dans le ce manuel sont spécialement conçus pour assurer la bonne circulation du flux dans toutes les phases du travail.



Le dispositif doit être installé conformément aux instructions spécifiques pour chaque installation. Toute législation en matière de sécurité doit absolument être respectée afin d'éviter tout accident.

Toute modification de l'actionneur pneumatique exige une autorisation préalable du fabricant. Les pièces détachées et les accessoires autorisés par le fabricant constituent la garantie d'une meilleure sécurité. Le fabricant du présent robinet avec actionneur décline toute responsabilité en cas de dommage lié à toute pièce détachée ou tout accessoire non autorisé.



Les pièces électriques et pneumatiques de ce dispositif sont alimentées en courant électrique pendant leur fonctionnement. Tout travail sur le robinet automatique ou tout autre dispositif connexe ne doit s'effectuer qu'après avoir déconnecté le mécanisme de démarrage.

L'utilisateur doit s'assurer que tout travail d'assemblage ou de maintenance soit exclusivement exécuté par le personnel qualifié ou dûment autorisé et que celui-ci ait au préalable lu les instructions de montage et d'entretien contenues dans le présent manuel.

Un usage approprié du présent robinet avec actionneur ne peut être garanti que si vous respectez scrupuleusement les présentes instructions de montage et d'entretien.

Les limites de pression d'air et de tension ne doivent en aucun cas être dépassées.

En cas de dysfonctionnement ou de panne, contactez-le représentant d'usine le plus proche ou le service d'assistance technique. Les chocs doivent être évités pendant le transport dans la mesure où ils peuvent être à l'origine des dommages sur la structure et le mécanisme du robinet.

Conservez le robinet dans son emballage d'origine et protégez-la de l'humidité et des rayons du soleil.

### MISES EN GARDE RELATIVES A LA ROBINET PNEUMATIQUE A BOISSEAU

La durée d'utilisation maximale du robinet est indiquée par la norme EN ISO 16136. Elle a été vérifiée à l'usine grâce aux tests de vieillissement prescrits par ladite norme.

L'installation et la manipulation adéquates du robinet ainsi que le respect des conditions maximales de température et de pression indiquées dans le présent manuel sont importantes afin de préserver la durée de vie du robinet.

Liquide à transporter doit être compatible avec les matériels du robinet. Consultez les diagrammes de résistance aux produits chimiques publiés par Cepex ou contactez le service technique.

L'usage des outils pour ouvrir ou fermer le robinet de commande manuelle n'est pas recommandé.



Avant d'entamer tout travail de maintenance sur le tuyau ou le robinet, assurez-vous que le système a été dépressurisé en relâchant la pression et en vidant les tuyaux, suivant les règles de sécurité spécifiques pour chaque produit.

Avant de procéder à l'installation, assurez-vous que le robinet n'est pas endommagé et qu'elle contienne toutes les pièces requises pour l'installation.

Après une longue période d'inutilisation, vérifiez la graisse sur les joints annulaires et suivez les instructions de maintenance contenues dans le présent manuel. La graisse doit être compatible avec les matériaux du robinet.



Il faut éviter la fermeture rapide des robinets afin d'éliminer la possibilité des coups de bélier provoquant des dommages au système.

Lors de l'utilisation du robinet en tant qu'élément d'installation, les risques d'écoulement doivent être pris en compte, la pression et la température doivent être contrôlée suivant les normes de sécurité pour chaque produit.

Établissez toutes les connections en suivant les instructions relatives à l'alimentation électrique définies dans le présent manuel. Assurez-vous que tous les câbles sont bien connectés.



Si la boîte à l'extrémité du tronçon doit être ouverte, lorsqu'elle est refermée, vérifiez qu'elle est correctement positionnée afin d'éviter tout contact avec de l'eau. Vérifiez également que les connecteurs sont correctement positionnés.

Évitez en permanence tout contact, même accidentelle, avec les pièces mobiles du robinet actionnée pendant le fonctionnement et / ou avant son arrêt complet.



Assurez-vous que les mécanismes de démarrage sont bloqués avant d'entamer tout travail de maintenance électrique ou pneumatique. Les étapes suivantes doivent être respectées avant toute modification du robinet avec actionneur :

1.- Déconnectez de la source d'alimentation principale.

2.- Bloquez les mécanismes de démarrage du système ;

3.- Assurez-vous qu'il n'y a pas de tension dans les circuits, y compris les circuits parallèles ainsi que les services supplémentaires ;

Toutes les étapes ci-dessus doivent être considérées à titre indicatif et ne sont pas directement liées aux procédures de sécurité, dans la mesure où une réglementation spécifique en matière de sécurité peut exister dans certains cas.



**IMPORTANT :** Compte tenu de la complexité du sujet, les instructions relatives à l'installation, l'usage et la maintenance contenues dans le présent manuel ne sont pas conçus pour répondre à tous les scénarii d'entretien et de maintenance imaginables. Si vous avez besoin de plus d'instructions ou si vous rencontrez des problèmes, n'hésitez pas à contacter le distributeur ou le fabricant du robinet.

## 1. DEFINITION

Robinet à boisseau pour l'isolation du flux dans les systèmes de manutention des liquides.

Conçu suivant la norme EN ISO 16136 conformément à la Directive 97/23/EC.

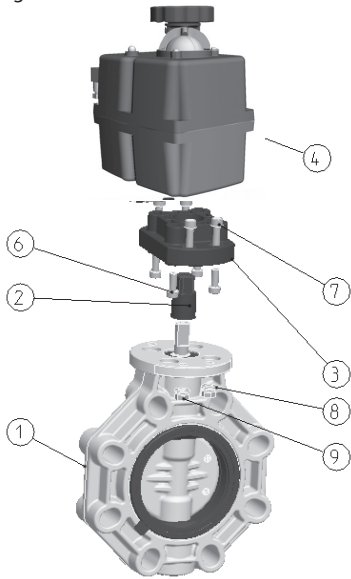
La vanne est disponible avec des papillons en PVC-U, CPV-C et PPH ainsi que des joints d'étanchéité en EPDM perox. et FPM. Le choix du matériel de la structure et des joints d'étanchéité dépend du type de liquide à transporter ainsi que la température de mise en œuvre du liquide conformément aux tableaux de résistance aux agents chimiques disponibles sur notre site internet tout comme sur le diagramme de température / pression du présent manuel.

L'actionneur électrique contrôle les positions du robinet (fermé/ouvert).

## 2. COMPOSANTS

### 2.1 Composants du vanne avec actionneur

Fig. 1



N	PIÈCES	MATERIAL	Q
1	Vanne papillon	Body: PP-GR Disc: PVC-U/PP-H/CPVC	1
2	Douille de raccordement	Phosphochromate Aluminium (DN65-DN150) AISI-304 (DN200-DN300)	1
3	Bride de fixation	PP-GR	1
4	Actionneur	PA housing	1
6	Boulon DIN-912	Stainless steel AISI-304	4
7	Boulon DIN-912	Stainless steel AISI-304	4
8	Rondelle DIN-925	Stainless steel AISI-304	4
9	Écrou DIN-934	Stainless steel AISI-304	4

### 2.2 Composants du robinet

N	PIÈCES	MATERIAL	DN50- DN200	DN250- DN300
1	Corps	PP-GR	1	1
2	Garniture du pap.	EPDM perox. / FPM	1	1
3	Papillon	PVC-U / PPH / CPVC	1	1
4	Douille	PP-GR	2	2
5	Douille	PP-GR	1	1
6	Axe	Stainless steel AISI-630	1	1
7	Bouchon	PP	1	1
8	Boulon DIN-471	Stainless steel AISI-304	1	1
9	Joint tórico	EPDM / FPM	4	8
10	Rondelle	Stainless steel AISI-304	1	1
11	Joint tórico	EPDM / FPM	2	4
12	Boulon DIN-912	Stainless steel AISI-304	1	1

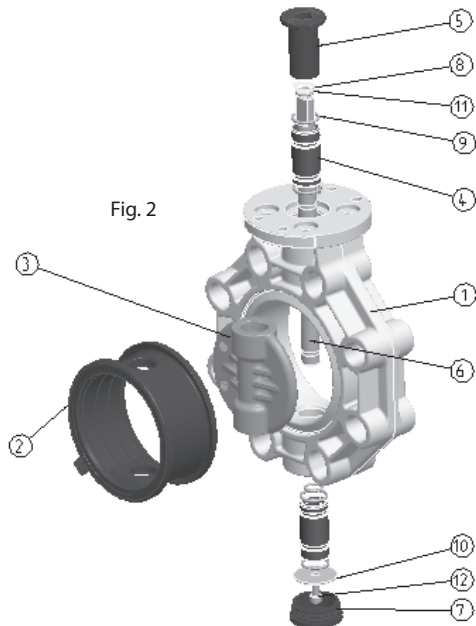


Fig. 2

**3. VANNE PAPILLON**

**3.1 VÉRIFICATION DU TYPE DE ROBINET**

Lors de l'ouverture de l'emballage, veuillez-vous assurer que le robinet est le modèle commandé. Assurez-vous que le modèle de l'actionneur correspond au numéro de code commandé. Assurez-vous surtout que la tension indiquée sur l'étiquette de l'actionneur correspond à celui de votre source d'alimentation principale (les actionneurs ne prennent pas en compte les robinets et, par conséquent, une tension incorrecte peut causer des dommages irréversibles sur le dispositif. Tous les robinets sont testés de manière électrique et hydraulique à l'usine. Les robinets seront toujours remplacés en cas de toute réclamation justifiée.

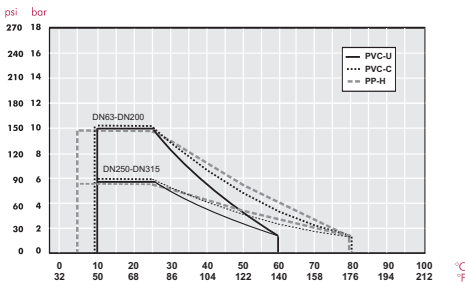
Pour plus d'informations techniques concernant les actionneurs, veuillez-vous référer aux manuels d'instructions jointes à la documentation du robinet.

**3.2 GARANTIE**

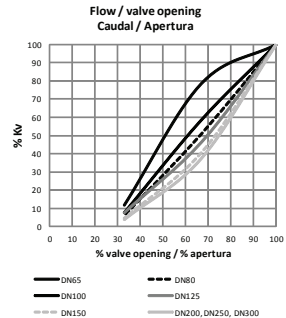
Ce dispositif a été testé à plusieurs reprises à l'usine d'où la garantie de son bon fonctionnement. Cette garantie est assurée si le dispositif a été bien installé et non mal utilisé. Pour cette raison, cet équipement doit être installé par une personne dûment qualifiée.

**3.3 CARACTERISTIQUES TECHNIQUES**

**Diagramme pression / température (G 3.1)**



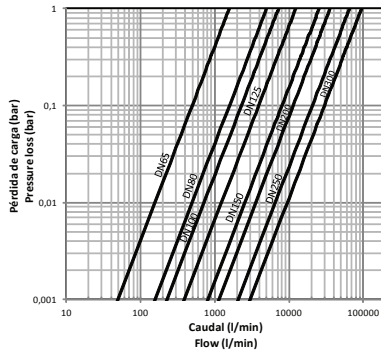
**Kv / % opening (G 3.2)**



**Perte de charge (T3.3)**

D	DN	Kv (l/min)	Cv (GPM)
63-75 (2 1/2")	DN65	1568	110
90 (3")	DN80	4980	349
110 (4")	DN100	7212	505
125-140 (5")	DN125	12320	863
160 (6")	DN150	25447	1134
200-225 (8")	DN200	35778	2505
250 (10")	DN250	65222	4567
315 (12")	DN300	94660	6629

**Diagramme de perte de charge (G 3.3)**



**Couple de fonctionnement du robinet**

Valeurs du couple de fonctionnement au niveau de pression (PN) et 20 °C tels que fournis par défaut de l'usine. Les conditions d'installation et de fonctionnement (pression et température) peuvent influencer sur ces valeurs.

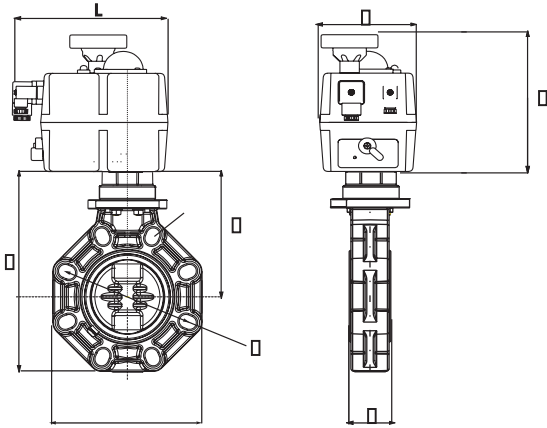
L'actionneur requis pour un fonctionnement automatique doit être calculé suivant certains facteurs de sécurité déterminés au préalable lors des tests effectués en usine.

**Couple de fonctionnement (N-m) (T3.2)**

	DN65	DN80	DN100	DN125	DN150	DN200	DN250	DN300
N-m	25	28	35	85	110	110	180	250
lbf-inch	221	248	310	752	974	974	1593	2213

4. DIMENSIONS

Fig. 3



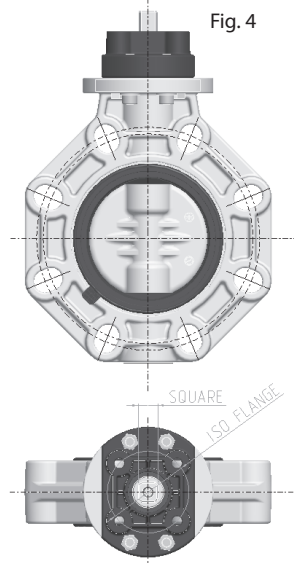
DN	A	B	E	F	H	K	HOLES
65	201	156	120	18	48	125-145	4
80	232	190	136	19	52	150-170	8
100	255	212	148	19	59	180-192	8
125	284	238	164	22	66	190-215	8
150	314	265	180	24	72	240	8
200	378	320	217	23	73	270-298	8
250	450	453	310	29	114	329-355	12
300	545	477	310	29	114	384-427	12

Consultez les manuels de l'actionneur et de l'interrupteur de fin de course afin de vérifier les dimensions M, N et I.

Dimensions fixation (T4.2)

DN	ISO FLANGE	SQUARE (mm)
65	F07	17
80	F07	17
100	F07	17
125	F07	17 / 22
150	F07	17 / 22
200	F07/F10	17 / 22
250	F07/F10/F12	22 / 27
300	F07/F10/F12	22 / 27

Fig. 4



Valve design	Flanged dimensions	Valve connections	Other connections	Actuator coupling
ISO 16136: 2005	EN 558-1, ANSI B16.5 Class 150, JIS B2220, BS/E	EN 1090-1	ISO15494, ISO15493, ISO10931	EN/ISO 5211, NAMUR

**5. INSTALLATION ET MISE EN SERVICE**

Avant de commencer le processus d'installation, vérifiez que toutes les pièces nécessaires pour l'assemblage de la vanne sont disponibles et que les matériaux, le type de connexion et la pression nominale sont appropriés pour l'installation. Pour les assemblages soudés ou aux solvants, assurez-vous que les pièces à connecter sont du même matériau et que le solvant ou les outils appropriés pour souder sont utilisés.

Afin d'installer la vanne, suivez les meilleures recommandations pratiques d'installation sur le site internet de Cepex en portant une attention particulière à l'expansion thermique et l'alignement du tuyau.

Lors du remplissage des tuyaux avec du liquide, vérifiez que tout l'air a été éliminé du système et que la pression initiale ne dépasse pas la pression nominale de la vanne ou de l'élément de système avec le plus faible niveau de pression nominale.

Montage de la vanne en utilisant des brides standards ISO-DIN, ANSI, JIS and BS/E Vous n'avez pas besoin de joints plats lors des couplages de raccordement car ils sont intégrés à la vanne elle-même. Observez la séquence de serrage des vis sur les brides (Fig. 6) et le couple de serrage maximal. Toutes les vis doivent être utilisées dans les brides afin d'assurer un bon fonctionnement de la vanne.

Les raccordements PP/PE pour soudage bout à bout doivent être chanfreinés tel qu'indiqué sur le schéma (Fig.7) et Tableau (T5.2), afin d'assurer une bonne ouverture et fermeture du disque.

Installez la vanne une fois les emboitements soudés à froid et séchés afin d'éviter les problèmes d'adhésion (pénétration de ce dernier dans la vanne).

Les brides doivent être bien centrées sur la vanne (accordez une attention particulière aux mesures DN100-DN125 et DN200). Un désalignement de l'assemblage peut causer des problèmes de fonctionnement de la vanne.

Fig. 5

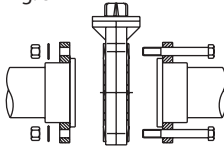
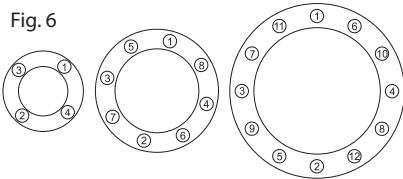


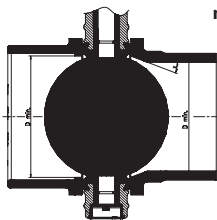
Fig. 6



**Screws and screw tightening torque**

D	DN	inch	Screws (A2)	Torque (N-m)	Torque (inch-lbs)
63	50	-	4xM16x120	25	221
75	65	2 1/2"	4xM16x140	25	221
90	80	3"	8xM16x150	25	221
110	100	4"	8xM16x160	30	265
125	125	-	8xM16x170	35	310
140	125	5"	8xM16x170	35	310
160	150	6"	8xM20x200	40	354
200	200	-	8xM20x210	50	442
225	200	8"	8xM20x230	50	442
250	250	-	12xM20x270	80	708
280	250	10"	12xM20x270	80	708
315	300	12"	12xM20x310	80	708

Fig. 7 **PP/PE sockets**



**Pipe and chamfer measurements**

T 5.2

DN	D min.	x
65	50.5	30°
80	70	30°
100	91.5	30°
125	113	30°
150	141	30°
200	191.5	20°
250	226	20°
300	296.5	20°



## 6. FONCTIONNEMENT DE L'ACTIONNEUR

Le robinet avec actionneur est constituée d'un actionneur électronique monté sur un robinet conventionnel.

**FONCTIONNEMENT.** Lorsqu'un signal électrique est reçu, le moteur tourne soit à "OUVERT" soit à "FERMÉ" en fonction du signal de commutation jusqu'à ce que la came interne se connecte au microrupteur, ramenant ainsi le moteur à l'arrêt. Lorsqu'il reçoit de nouveau un signal électrique, le moteur tournera dans la direction opposée.

- Moteur monophasé réversible avec indicateur de position visuelle et signal de sortie.

- Applications : Pour des tours de 90° (ou de 180° dans le cas du robinet à boisseau à trois voies).

- Les deux alimentations électriques AC et DC. Les deux positions sont possibles sur le même actionneur. Il faut toujours se référer au schéma de connexion sur l'étiquette de l'actionneur.

- Fonctionnement manuel d'urgence. Le moteur sera automatiquement déconnecté si vous mettez le levier à la position M (Manuel).

- Des contacts auxiliaires supplémentaires pour signal de position de transmission.

- **MISE EN GARDE.** Ne pas connecter des actionneurs de basse tension aux sources à tension plus élevée. De même, ne pas connecter les actionneurs de haute tension aux sources de faible tension. Les actionneurs ne disposent pas de fusibles et des tensions incorrectes peuvent entraîner des dommages irréversibles au dispositif.

### Caractéristiques J+J

- Température contrôlée par thermostat : Intégration d'un système de chauffage de 4W contrôlé par thermostat, température de fonctionnement entre 20°C et 30°C (68°F à 86°F). Afin que le système fonctionne correctement, il est important de maintenir la tension à travers l'actionneur.

- Sécurité : L'actionneur dispose d'un système d'arrêt électronique automatique si le couple maximal est dépassé. Si cela advient, le dispositif pourra fonctionner manuellement si vous utilisez le bouton indicateur de l'actionneur.

- Une lumière DEL interne allumée en permanence indique que l'actionneur fonctionne correctement. Si elle commence à clignoter, cela signifie que quelque chose ne va pas et la source d'alimentation électrique de l'actionneur va automatiquement s'arrêter.

Accessoires optionnels :

- Système de positionnement numérique

- Bloc de sécurité. Terminal indépendant fournissant de l'énergie électrique à l'actionneur en cas de coupure de courant.

### 5.1 CONFORMITÉ AUX NORMES

Actionneur J+J

ISO 5211 - DIN 3337 (raccord de robinet) EN 60204 (sécurité)

EN 50081-1 / EN 50081-2 / EN 50082-1 / EN 50082-2 / EN 61000-4-2 / EN 61000-4-3 / EN 61000-4-4 / EN 61000-4-5 / EN 61000-4-6 / EN 61000-4-11 (compatibilité électromagnétique)

Actionneur de robinet :

ISO 5211 - DIN 3337 (raccord de robinet)

EN 61000-6-2 / EN 61000-6-4 (compatibilité électromagnétique) EN 60947-1 (1999) (dispositif basse tension)

**7. INSTRUCTIONS RELATIVES AU FONCTIONNEMENT ET A LA MAINTENANCE**

Il est recommandé que l'état du joint d'étanchéité soit régulièrement vérifié dans la mesure où il peut présenter des signes d'usures mécaniques causées par la pression, la manipulation et le contact avec le liquide. Le joint d'étanchéité doit être graissé au niveau des zones de contact avec le disque (la graisse doit être compatible avec les matériaux du joint et du disque). Il est également conseillé de vérifier régulièrement que les écrous de fixation sont correctement serrés conformément aux valeurs recommandées des couples indiquées ci-dessus (T5.1).

Des mouvements périodiques doivent être effectués afin d'éviter la fermeture de la vanne pendant de longues périodes lorsqu'elle est à la position fermée. Il est conseillé de faire circuler le liquide dans la vanne avant de la manoeuvrer.

**7.1 REMPLACEMENT DU JOINT D'ÉTANCHÉITÉ**

Si vous devez remplacer le joint d'étanchéité, procédez comme suit :

- Assurez-vous que le système a été dépressurisé en relâchant la pression et en vidant les tuyaux, suivant les règles de sécurité spécifiques pour chaque produit. Vérifiez également la température du liquide et suivez les normes de sécurité relatives à la température.
  - Retirez la vanne de l'installation.
  - Retirez le manche, les vis (20), les écrous (21) et le papillon (17).
  - Retirez l'anneau (8). Retirez le bouchon (7) et la vis (12).
  - Soutirez sur le manche (6) en utilisant un maillet en caoutchouc jusqu'à ce que le roulement (4) soit visible sur la partie inférieure (Fig.11).
  - Une fois le roulement à l'extérieur, retirez le manche (6), tournez-le puis réinsérez-le (Fig.12) à partir de la partie inférieure.
  - Soutirez de nouveau jusqu'à ce que les roulements (4 et 5) ressortent à partir de la partie supérieure.
  - Retirez le disque en le pressant dans le sens d'écoulement du liquide.
  - Retirez le joint d'étanchéité. Fixez le nouveau joint d'étanchéité ; il doit être plié de manière à ce qu'il s'aligne avec le manche suivant le tableau d'indication du joint (Fig. 13).
- MISE EN GARDE: Avant de procéder à l'installation du nouveau joint, vérifiez l'état des joints annulaires (9 et 11).

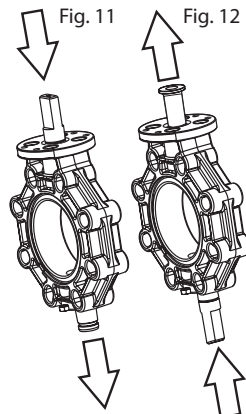
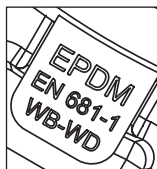


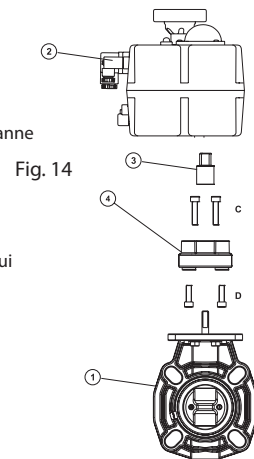
Fig. 13



**8. MONTAGE ET DEMONTAGE DE L'ACTIONNEUR**

Si l'actionneur ou la vanne doit être remplacé, procédez de la manière suivante :

1. Déplacez la vanne à papillon à la position fermée.
2. Dépressurisez et vidanger la partie opérative ou le composant d'usine.
3. Dépressurisez l'agent de commande.
4. Retirez la/les ligne(s) de l'agent de commande de l'actionneur.
5. Retirez les vis, les rondelles et les écrous (7, 8 et 9, Fig.1).
6. Retirez l'assemblage de l'actionneur pneumatique (4) en utilisant la pince de montage (5) de la vanne à arbre nue (Fig.14).
7. Retirez les vis (6) afin de démonter l'actionneur de la pince de montage.
8. Si l'actionneur doit être remplacé par un bouton indicateur, démontez également la douille d'accouplement (4 Fig.1).



Afin de monter un nouvel actionneur ou une nouvelle vanne, suivez la procédure inverse de celle qui précède.

## 9. PIÈCES DÉTACHÉES

DN	VANNE	KIT	JJ ACT.		KIT	VALPES ACT.	
			12-48V	80-240V		100-240V	15-30V
DN50-DN65	SEE TECHNICAL CATALOG TO KNOW THE SPECIFIC CODE	57498	30672	30677	46669	30683	30693
DN80		35901	30672	30677	46670	30683	30693
DN100		35901	46653	46654	46670	30683	30693
DN125		35904	30673	30678	54591	30684	30694
DN150		35904	30673	30678	54591	30684	30694
DN200		35908	30674	30679	35908	30685	30695
DN250		35912	30674	30679	35912	30685	30695
DN300		35912	30674	30679	35912	30685	30695




## 10. TRDÉPANNAGE

## T 9.1

PANNE	CAUSE PROBABLE	REPARATION DE LA PANNE
Le disque ne s'ouvre pas ou ne se ferme pas complètement.	Les raccordements n'ont pas été correctement biseautés.	Démontez la vanne et biseautez les raccordements comme indiqués dans le tableau T5.2.
	Présence de corps étrangers dans le compartiment (adhésif, etc.).	Démontez la vanne et vérifiez la présence d'obstacles dans le disque et la zone de contact du joint.
Ouverture et fermeture excessive du couple.	La vanne a été inactive pendant une longue période.	Faites fonctionner avec une clé de dégagement auxiliaire (non pas avec le manche en plastique). Démontez la vanne et lubrifiez le joint d'étanchéité.
	Des températures élevées ou un balayage chimique causent des dommages au joint.	Vérifiez la compatibilité chimique du liquide avec le disque et la température de fonctionnement. Remplacez le joint.
	Bride de couplage excessif.	Serrez les brides comme indiqué dans le tableau T5.1.
	Désalignement entre les raccordements et la vanne.	Démontez la vanne et assemblez de nouveau en suivant un alignement concentrique (respectez correctement la séquence de serrage et de couplage).
La vanne n'est pas complètement étanche au niveau des raccordements.	Désalignement entre les raccordements et la vanne.	Démontez la vanne et assemblez de nouveau en suivant un alignement concentrique (respectez correctement la séquence de serrage et de couplage).
	Vis d'accouplement pas assez serrés.	Serrez les brides comme indiqué dans le tableau T5.1.
La vanne n'est pas complètement étanche au niveau des joints d'étanchéité.	Mauvaise résistance aux agents chimiques. Température hors de portée. Pression excessive. Présence d'éléments abrasifs.	Vérifiez la conformité aux caractéristiques du présent document.
	Joint d'étanchéité endommagé.	Remplacez le joint.
La robinet ne s'ouvre et ne se ferme pas.	Manque de courant.	Vérifiez la source d'alimentation de l'actionneur en courant.
Le robinet ne se ferme pas hermétiquement.	La course de l'actionneur n'est pas bien ajustée au robinet.	Vérifiez les limites de réglage suivant le manuel de l'actionneur.
	Le couple du robinet a connu une augmentation au-dessus de la valeur calculée.	Vérifiez le robinet : des obstacles dans le disque ou mauvais fonctionnement du robinet.

**Importante:** Este manual de instruções contém as informações essenciais sobre as medidas de segurança a adoptar na instalação e no funcionamento do equipamento. Daí a importância que leia estas instruções antes de instalar e utilizar este equipamento.

Para a obtenção de um melhor desempenho da válvula accionada, por favor leia atentamente as seguintes instruções.

Estes símbolos    indicam potenciais perigos se as recomendações aqui indicadas não forem seguidas.

**PERIGO.** Risco de electrocussão. Não seguir as recomendações pode causar electrocussão. **PERIGO.** Não seguir as recomendações pode resultar em danos pessoais ou danos no equipamento.

**AVISO.** Não seguir as recomendações pode resultar em danos na válvula automática ou no equipamento.

## RECOMENDAÇÕES GERAIS DE SEGURANÇA

As válvulas descritas neste manual foram especialmente concebidas para garantir a correcta circulação do fluxo em todas as fases de trabalho.

O equipamento deve ser instalado de acordo com as instruções específicas. As medidas de segurança devem ser sempre respeitadas.

Qualquer alteração ao actuator deve ser feita com a autorização prévia do fabricante. As peças e acessórios aprovados são uma garantia de maior segurança.

O fabricante da válvula motorizada não assume qualquer responsabilidade por danos causados pelo uso de peças ou acessórios não aprovados.

Durante o funcionamento, os componentes eléctricos ou electrónicos recebem corrente. O trabalho sobre a válvula automática ou outros equipamentos relacionados só pode ser executado depois de desligar o motor de arranque.

O utilizador deve assegurar-se que os trabalhos de montagem e manutenção são sempre realizados por pessoal autorizado e qualificado, e que este último tenha lido as instruções de instalação e manutenção contidas neste manual.

A segurança operacional da válvula accionada só pode ser garantida com o estrito cumprimento das instruções de instalação e utilização. Os limites de voltagem não podem ser excedidos em nenhuma circunstância.

Em caso de falha ou avaria, entre em contacto com o representante da fábrica mais próximo ou com a assistência técnica da fábrica. Evite danos durante o transporte, pois eles podem danificar a válvula ou o mecanismo da válvula.

Armazenar a válvula na sua embalagem original para a proteger contra humidade e a exposição luz solar directa.

## AVISOS SOBRE A VÁLVULA DE ESFERA PNEUMÁTICA

A vida útil máxima da válvula é especificada na norma EN ISO 16136. Isto foi verificado na fábrica com ensaios de envelhecimento especificados na norma.

A correcta montagem e o bom funcionamento da válvula, assim como o cumprimento das condições de pressão máxima e temperatura especificadas neste manual são essenciais para preservar a vida útil da válvula.

O líquido conduzido deve ser compatível com os materiais da válvula. Consulte a tabela de resistência química publicada no site da Cepex ou consultar o departamento técnico.

Não é recomendado a utilização de ferramentas para abrir ou fechar a válvula de controlo manual.

Antes de efectuar a manutenção na tubagem ou na válvula, verifique se o sistema está despressurizado, libertando a pressão e esvaziando os tubos, seguindo as normas de segurança específicas de cada elemento.

Antes da instalação, verifique se a válvula não está danificada e se contém todas as peças necessárias para a instalação.

Após longos períodos de inactividade, verifique a massa das juntas e siga as instruções de manutenção contidas neste manual. A massa deve ser compatível com os materiais da válvula.

É importante evitar o fecho rápido de válvulas para eliminar a possibilidade de choques de pressão (golpes de ariete), que causam danos no sistema.

Quando a válvula é utilizada como o elemento final de uma instalação, deve considerar os riscos que o líquido pode causar e deve controlar a pressão e a temperatura, de acordo com as normas de cada produto.

Fazer todas as ligações seguindo as instruções indicadas no manual de instruções relativas ao fornecimento eléctrico. Certifique-se de que todos os cabos estão ligados correctamente.

Se precisar de precisar de abrir a caixa de interruptor de fim de curso, para fechá-la novamente, verifique se está correctamente colocada para evitar qualquer contacto com a água. Verifique também se os conectores estão correctamente situados.

Em qualquer circunstância, evitar o contacto, mesmo que acidentalmente, com as partes móveis da válvula accionada durante a operação e / ou antes que tenha fechado por completo.

Antes de iniciar qualquer manutenção eléctrica, assegure-se que os mecanismos de arranque estão bloqueados. Recomendamos que siga os seguintes passos antes de proceder a qualquer alteração da válvula accionada:

1. Desligue da alimentação eléctrica.

2. Bloquee os sistemas de arranque do sistema.

3. Certifique-se de que nenhuma corrente a atravessar os circuitos, incluindo circuitos auxiliares e serviços complementares.

Todos os itens acima devem ser tomados como indicativos e não directamente ligados a procedimentos de segurança, porque, em alguns casos, pode haver normas de segurança específicas.

**IMPORTANTE:** Como resultado da complexidade do tema, as instruções para a instalação, utilização e manutenção contidas neste manual não contemplam todos os casos possíveis de serviço e manutenção. Se precisar de mais informações ou se se deparar com problemas específicos, por favor não hesite em contactar o seu fornecedor ou o fabricante da válvula.

## 1. DESCRIÇÃO

Válvula de esfera para interromper a passagem de fluxo em sistemas de condutas de líquidos.

Design com base na EN ISO 16136 Standard de acordo com 97/23 / Diretiva CE.

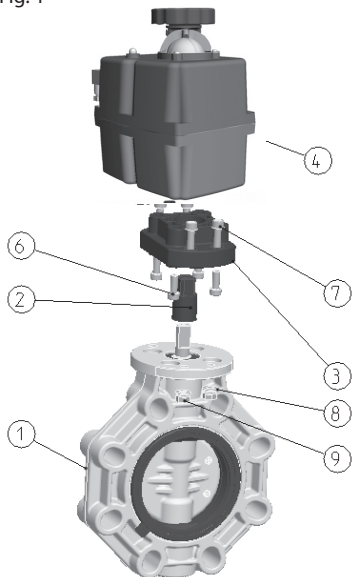
La comporta da válvula está disponível em PVC-U, CPVC e PP-H e as juntas em EPDM perox. e FPM. A escolha do material do corpo e das juntas depende do tipo de líquido a transportar e a temperatura do líquido, de acordo com os gráficos de resistência química disponíveis no nosso site e os gráficos pressão / temperatura neste manual.

O actuador eléctrico controla as posições da válvula (aberta / fechada).

## 2. COMPONENTES

### 2.1 Componentes da válvula accionada

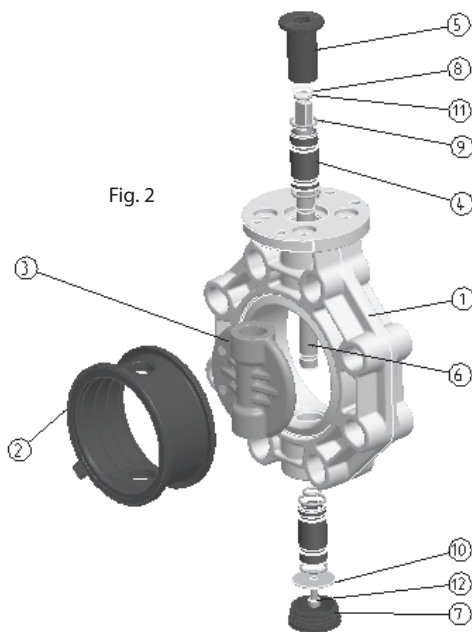
Fig. 1



N	DESCRIÇÃO	MATERIAL	Q
1	Válvula de borboleta	Body: PP-GR Disc: PVC-U/PP-H/CPVC	1
2	Casquilho união	Phosphochromate Aluminium (DN65-DN150) AISI-304 (DN200-DN300)	1
3	Flange de união	PP-GR	1
4	Actuador	PA housing	1
6	Parafuso DIN-912	Stainless steel AISI-304	4
7	Parafuso DIN-912	Stainless steel AISI-304	4
8	Anilha DIN-925	Stainless steel AISI-304	4
9	Porca DIN-934	Stainless steel AISI-304	4

### 2.2 Componentes da válvula

N	PEÇAS	MATERIAL	DN50- DN200	DN250- DN300
1	Corpo	PP-GR	1	1
2	Junta comporta	EPDM perox. / FPM	1	1
3	Comporta	PVC-U / PPH / CPVC	1	1
4	Casquilho guia	PP-GR	2	2
5	Casquilho guia	PP-GR	1	1
6	Eixo	Stainless steel AISI-630	1	1
7	Tampão	PP	1	1
8	Parafuso DIN-471	Stainless steel AISI-304	1	1
9	Junta	EPDM / FPM	4	8
10	Anilha	Stainless steel AISI-304	1	1
11	Junta	EPDM / FPM	2	4
12	Parafuso DIN-912	Stainless steel AISI-304	1	1



### 3. VÁLVULA BORBOLETA

#### 3.1 VERIFICAÇÃO DO TIPO DE VÁLVULA

Ao abrir a embalagem, verifique que a válvula é do modelo que pediu.

Verifique se o modelo do actuador corresponde com o código de pedido. Preste especial atenção para a corrente (voltagem) indicada na etiqueta do actuador se corresponde ao seu fornecimento de electricidade (a voltagem errada pode causar danos irreparáveis ao equipamento).

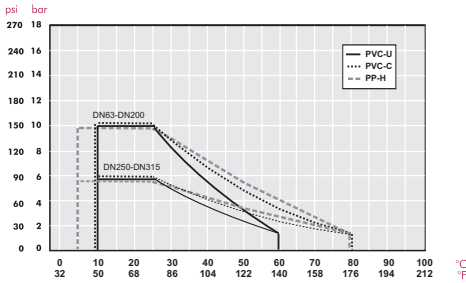
Todas as válvulas são: eléctrica e hidráulicamente testadas pelo fabricante. As válvulas serão substituídas sempre que apresentar uma justificação plausível.

#### 3.2 GARANTIA

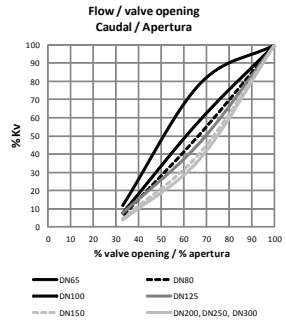
Este equipamento foi exaustivamente testado pelo fabricante para garantir que esteja em perfeitas condições de funcionamento. Esta garantia será aplicável partindo do princípio que a válvula foi instalada correctamente e não foi utilizado incorrectamente. Por esta razão, o equipamento deverá ser instalado por pessoal qualificado.

#### 3.3 CARACTERÍSTICAS TÉCNICAS

##### Diagrama de pressão/temperatura (G 3.1)



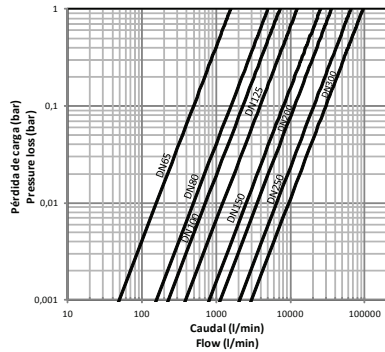
##### Kv / % opening (G 3.2)



##### Perdas de carga (T3.3)

D	DN	Kv (l/min)	Cv (GPM)
63-75 (2 1/2")	DN65	1568	110
90 (3")	DN80	4980	349
110 (4")	DN100	7212	505
125-140 (5")	DN125	12320	863
160 (6")	DN150	25447	1134
200-225 (8")	DN200	35778	2505
250 (10")	DN250	65222	4567
315 (12")	DN300	94660	6629

##### Diagrama das perdas de carga (G 3.3)



##### Par de abertura da válvula

Par de abertura a pressão nominal (PN) e 20 ° C como vem de origem. A instalação e condições de operação (pressão e temperatura) podem afectar estes valores.

O actuador necessário para o funcionamento automático deve ser calculado de acordo com alguns factores de segurança foram determinados em ensaios testados pelo fabricante.

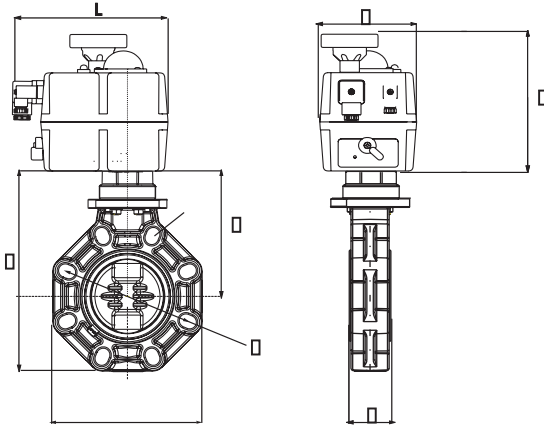
##### Par de abertura (N·m)

(T3.2)

	DN65	DN80	DN100	DN125	DN150	DN200	DN250	DN300
N·m	25	28	35	85	110	110	180	250
lbf·inch	221	248	310	752	974	974	1593	2213

**4. DIMENSÕES**

Fig. 3



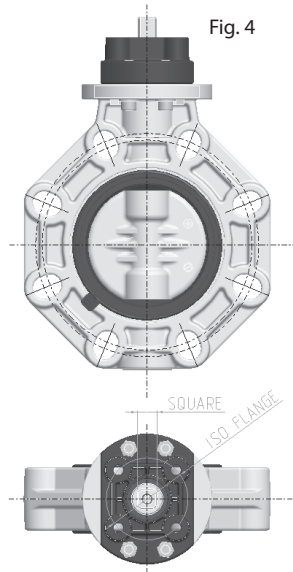
DN	A	B	E	F	H	K	HOLES
65	201	156	120	18	48	125-145	4
80	232	190	136	19	52	150-170	8
100	255	212	148	19	59	180-192	8
125	284	238	164	22	66	190-215	8
150	314	265	180	24	72	240	8
200	378	320	217	23	73	270-298	8
250	450	453	310	29	114	329-355	12
300	545	477	310	29	114	384-427	12

Consulte o manual do actuador para as dimensões M, N e l.

**Dimensões união (T4.2)**

DN	ISO FLANGE	SQUARE (mm)
65	F07	17
80	F07	17
100	F07	17
125	F07	17 / 22
150	F07	17 / 22
200	F07/F10	17 / 22
250	F07/F10/F12	22 / 27
300	F07/F10/F12	22 / 27

Fig. 4



Valve design	Flanged dimensions	Valve connections	Other connections	Actuator coupling
ISO 16136: 2005	EN 558-1, ANSI B16.5 Class 150, JIS B2220, BS/E	EN 1090-1	ISO15494, ISO15493, ISO10931	EN/ISO 5211, NAMUR

## 5. INSTALAÇÃO

Antes de iniciar o processo de instalação, verifique se tem todas as peças e materiais necessários, o tipo de ligação e se a pressão nominal se adequam ao sistema.

Para juntas coladas ou soldadas deverá assegurar também que as partes a ligar são do mesmo material e deverá certificar-se se está a utilizar o adesivo ou as ferramentas de soldadura correctas.

Para instalar a válvula, siga as instruções de instalação correcta no site da Cepex, prestando especial atenção à expansão térmica e ao alinhamento da tubagem.

Ao encher os tubos com líquido, verificar se todo o ar foi expulso do sistema e que a pressão inicial não exceda a pressão de trabalho da válvula ou do elemento do sistema com a pressão nominal mais baixa.

A montagem da válvula será feita utilizando flanges que respeitem as normas ISO-DIN, ANSI, JIS e BS / E. Não há necessidade de usar junta plana para a braçadeira porta flanges, uma vez que, já estão incorporadas na válvula. Verificar a sequência do aperto dos parafusos nos flanges (Fig. 6) e o binário máximo de aperto. É importante que todos os parafusos sejam usados no flange para assegurar um melhor funcionamento da válvula.

As braçadeiras em PP / PE para soldar a extremidade devem ser cortadas em forma de meia-lua, como mostrado no gráfico (Fig. 7) e na tabela (T5.2), para garantir a correcta abertura e fecho da comporta.

Instalar a válvula uma vez que as juntas foram coladas e passou o tempo de secagem para evitar problemas com o adesivo (entrada no corpo de válvula).

Os flanges devem estar bem centrados na válvula (ter em atenção as normas especiais DN100-DN125 e DN200). Um desalinhamento na instalação poderá causar problemas no funcionamento da válvula.

Fig. 5

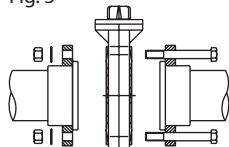
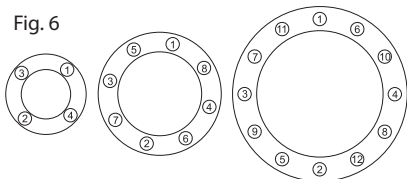


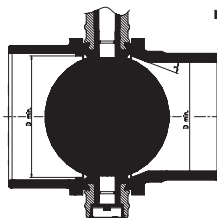
Fig. 6



**Screws and screw tightening torque T 5.1**

D	DN	inch	Screws (A2)	Torque (N·m)	Torque (inch·lbs)
63	50	-	4xM16x120	25	221
75	65	2 1/2"	4xM16x140	25	221
90	80	3"	8xM16x150	25	221
110	100	4"	8xM16x160	30	265
125	125	-	8xM16x170	35	310
140	125	5"	8xM16x170	35	310
160	150	6"	8xM20x200	40	354
200	200	-	8xM20x210	50	442
225	200	8"	8xM20x230	50	442
250	250	-	12xM20x270	80	708
280	250	10"	12xM20x270	80	708
315	300	12"	12xM20x310	80	708

Fig. 7 PP/PE sockets



**Pipe and chamfer measurements**

T 5.2

DN	D min.	x
65	50.5	30°
80	70	30°
100	91.5	30°
125	113	30°
150	141	30°
200	191.5	20°
250	226	20°
300	296.5	20°



## 6. FUNCIONAMENTO DO ACTUADOR

Válvula accionada é um actuador electrónico montado numa válvula convencional.

**OPERAÇÃO:** Ao receber um sinal eléctrico, o motor gira para a posição "aberto" ou "fechado", dependendo do sinal do interruptor até que a árvore de cames interna se ligue ao micro-interruptor, dando o sinal de paragem ao motor. Quando volta a receber outro sinal eléctrico, o motor roda no sentido oposto.

- Motor monofásico reversível com indicador visual de posição e sinal de saída.
- Montagem: Ângulo de 90 ° (ou 180 ° no caso da válvula de esfera de 3 vias).
- Disponível na configuração AC ou DC. Ambas as configurações disponíveis no mesmo actuador. Siga o diagrama de ligação na etiqueta do actuador.
- Operação manual de emergência. Posicionando a alavanca em M (Manual) o motor desligar-se-á automaticamente
- Contactos adicionais auxiliares para sinal de transmissão de posição.
- AVISO. Nunca ligue actuadores de baixa tensão a fontes de alta tensão. Além disso, não ligue actuadores de alta tensão a fontes de baixa tensão. O actuador não irá funcionar e poderá causar danos irreparáveis no equipamento.

### Características J+J

- Temperatura Regulada por Termostato: Incorporação de um sistema de aquecimento controlado por termostato de 4W, garante uma temperatura de trabalho entre 20 ° C e 30 ° C (68 ° F a 86 ° F). Para que o sistema funcione correctamente é importante manter a corrente através do actuador.
- Segurança: O actuador possui um sistema electrónico automático de bloqueio no caso do binário máximo ser excedido. Se isto acontecer, o equipamento poderá ser operado manualmente através do volante do actuador.
- Um LED interno em funcionamento permanente indica que o actuador funciona correctamente. Quando este começa a piscar, é sinónimo de irregularidade e desliga automaticamente a energia do actuador.

Acessórios opcionais:

- Sistema posicionador Digital
- Bloqueio de Segurança. Bateria independente que fornece energia ao atuador em caso de falha de fornecimento de energia.

### 5.1 CUMPRIMENTO DAS NORMAS

Actuador eléctrico J+J

ISO 5211 - DIN 3337 (ligação à válvula) EN 60204 (segurança)

EN 50081-1 / EN 50081-2 / EN 50082-1 / EN 50082-2 / EN 61000-4-2 / EN 61000-4-3 / EN 61000-4-4 / EN 61000-4-5 / EN 61000-4-6 / EN 61000-4-11 (compatibilidade electromagnética)

Actuador eléctrico Valves:

ISO 5211 - DIN 3337 (ligação da válvula)

EN 61000-6-2 / EN 61000-6-4 (compatibilidade electromagnética) EN 60947-1 (1999) (equipamento de baixa tensão)

## 7. FUNCIONAMENTO E INSTRUÇÕES DE MANUTENÇÃO

Recomenda-se verificar regularmente o estado da junta da válvula, uma vez que pode mostrar sinais de stress mecânico, devido à pressão ou contacto com o líquido. A junta da válvula deve ser lubrificada na área de contacto com a comporta (o lubrificante deve ser compatível com materiais os materiais da junta e da comporta). Também é aconselhável verificar regularmente se as porcas de fixação do flange estão correctamente apertados, como mostrado na tabela de binário de aperto (T5.1).  
Recomenda-se forçar o movimento periódico para impedir o bloqueio da válvula ao longo de períodos de tempo prolongados com a comporta na posição fechada. É aconselhável passar líquido antes de manobrar a válvula.

### 7.1 SUBSTITUIÇÃO DA JUNTA DA VÁLVULA

Se for necessário substituir a junta da válvula, faça-o da seguinte forma:

- Verificar se o sistema é despressurizado retirando a pressão e esvaziando as tubagens, siga as instruções de segurança específicos de cada produto. Verificar também a temperatura do líquido de forma a seguir as normas de segurança da temperatura.
  - Retirar a válvula da instalação.
  - Remover a alavanca, os parafusos (20), as porcas (21) e o conjunto divisor (17).
  - Retire a anilha (8). Removendo a tampa (7) e parafuso (12).
  - Martele o eixo (6) com um martelo de borracha até que o casquilho (4) apareça pela parte inferior da válvula (Fig. 11).
  - Uma vez que o casquilho tenha saído, retirar o eixo (6), girá-lo e voltar a coloca-lo (Fig. 12), pela parte inferior da válvula.
  - Martelar novamente até o casquilho (4 e 5) surja pela parte superior. Remover o eixo novamente.
  - Remover a comporta empurrando na direcção da passagem de fluxo.
  - Retirar a junta da válvula. Colocar a nova junta; será necessário dobrá-la e alinhar os furos com o eixo, de acordo com a patilha da junta (Fig. 13).
- AVISO: Antes de instalar a nova junta, verificar a condição das juntas do eixo (9 e 11).

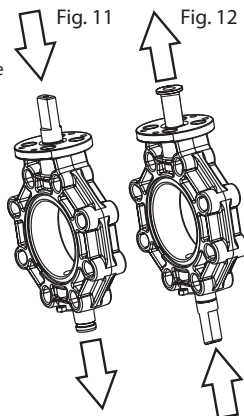
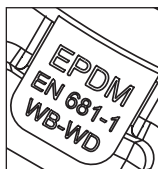


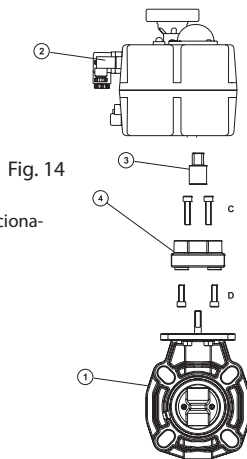
Fig. 13



## 8. MONTAGEM E DESMONTAGEM DO ACTUADOR

Se precisar substituir o actuador ou a válvula, deverá proceder da seguinte forma:

1. Mover a válvula de borboleta para a posição fechada.
  2. Despressurizar e drenar o sistema.
  3. Despressurizar o meio de controlo.
  4. Retirar as linhas do meio do controlo do actuador.
  5. Remover os parafusos, anilhas e porcas (7, 8 e 9, Fig. 1).
  6. Remover o actuador (4) e o flange de fixação (5) da válvula (Fig. 14).
  7. Retirar os parafusos (6) para remover o actuador a flange de fixação.
  8. Caso deseje substituir o actuador por uma alavanca, retirar também o casquilho de ligação (3).
- Para montar um novo actuador ou uma nova válvula, proceder à execução dos passos acima mencionados na ordem inversa.



## 9. PEÇAS DE SUBSTITUIÇÃO

DN	VÁLVULA	KIT	JJ ACT.		KIT	VALPES ACT.	
			12-48V	80-240V		100-240V	15-30V
DN50-DN65	SEE TECHNICAL CATALOG TO KNOW THE SPECIFIC CODE	57498	30672	30677	46669	30683	30693
DN80		35901	30672	30677	46670	30683	30693
DN100		35901	46653	46654	46670	30683	30693
DN125		35904	30673	30678	54591	30684	30694
DN150		35904	30673	30678	54591	30684	30694
DN200		35908	30674	30679	35908	30685	30695
DN250		35912	30674	30679	35912	30685	30695
DN300		35912	30674	30679	35912	30685	30695


## 10. SOLUÇÃO DE PROBLEMAS T 9.1


PROBLEMA	CAUSA POSSÍVEL	SOLUÇÃO
A comporta não abre ou fecha completamente.	As arestas das braçadeiras não foram cortadas correctamente.	Desmontar a válvula e recortar as braçadeiras em forma de meia-lua como mostra a tabela T5.2.
	Materiais estranhos no compartimento (adesivo, etc.).	Desmontar a válvula e verificar se há obstruções na área de contacto entre a comporta e a junta.
Abertura ou fecho excessivo do par.	A válvula ficou inactiva por um período de tempo prolongado.	Mexer com uma chave auxiliar (não com a alavanca de plástico). Retire a válvula e lubrificar a junta.
	Altas temperaturas ou produtos químicos podem danificar o material da junta.	Verificar a compatibilidade química e a temperatura dos materiais. Substituir a junta.
	Par excessivo do flange.	Apertar os flanges como mostra a tabela T5.1.
	Desalinhamento entre as braçadeiras e a válvula.	Desmontar a válvula e voltar a montar com um alinhamento concêntrico (observe o aperto e sequência correctos).
La vanne n'est pas complètement étanche au niveau des raccords.	Desalinhamento entre as braçadeiras e a válvula.	Desmontar a válvula e voltar a montar com um alinhamento concêntrico (observe o aperto e sequência correctos).
	Par insuficiente do flange.	Serrez les brides comme indiqué dans le tableau T5.1.
Não há uma vedação completa na junta do corpo.	Resistência química inadequada. Temperatura excessiva. Excesso de pressão. Elementos abrasivos.	Verificar a conformidade com as especificações deste documento.
	Junta danificada.	Substitua a junta.
A válvula não abre ou não fecha.	Falta energia eléctrica.	Verificar a fonte de alimentação do actuador.
A válvula não fecha completamente.	O par de actuador não está bem ajustado com o da válvula.	Verificar as configurações de acordo com o manual do actuador.
	O par da válvula subiu acima do valor calculado.	Verificar a Válvula: obstruções na esfera ou mau funcionamento.


**Importante:** Il presente manuale d'istruzioni contiene informazioni fondamentali riguardanti le misure di sicurezza da adottare durante l'installazione e la messa in funzione del dispositivo. Pertanto è importante che l'utente legga le presenti istruzioni prima di installare e utilizzare il prodotto.

Per ottenere il miglior funzionamento della valvola attuata, è consigliabile leggere attentamente le seguenti istruzioni.

Questi simboli    indicano un potenziale pericolo nel caso in cui non si seguano le istruzioni qui indicate.

 PERICOLO. Rischio di folgorazione. Non attenersi alle raccomandazioni comporta il rischio di folgorazione.

 PERICOLO. Non attenersi alle raccomandazioni può comportare danni personali o al dispositivo.

 AVVERTENZA. Non attenersi alle raccomandazioni può comportare danni alla valvola automatica o al dispositivo.


### RACCOMANDAZIONI GENERALI DI SICUREZZA

Le valvole descritte nel presente manuale sono state specificamente progettate per garantire la corretta circolazione del flusso in tutte le fasi di funzionamento.

 Il dispositivo deve essere installato secondo le istruzioni specifiche. Le avvertenze di sicurezza devono essere rispettate in ogni momento.

Qualsiasi modifica dell'attuatore richiede una previa autorizzazione del produttore. I pezzi di ricambio e gli accessori autorizzati sono una garanzia di maggiore sicurezza.

Il produttore della valvola motorizzata declina qualsiasi responsabilità derivante da danni causati da uso di ricambi o accessori non autorizzati.

 Durante l'operazione, le parti elettriche o elettroniche sono sottoposte a tensione elettrica. Il lavoro con la valvola automatica o con altri dispositivi collegati può essere effettuato solo dopo aver disconnesso il meccanismo di avviamento.

L'utente deve assicurarsi che le operazioni di montaggio e manutenzione siano sempre effettuate da personale autorizzato e qualificato e che abbia letto attentamente le istruzioni d'installazione e funzionamento contenute nel presente manuale.

La sicurezza di funzionamento di questa valvola può essere garantita solo con il più rigoroso rispetto delle istruzioni d'installazione e funzionamento. Le limitazioni di tensione non possono essere superate in nessuna circostanza.

In caso di difetti di funzionamento o guasti, contattare il più vicino rappresentante del produttore o il relativo servizio di assistenza tecnica. Evitare gli urti durante il trasporto, che possono danneggiare il corpo o il meccanismo della valvola.

Custodire la valvola nel suo imballaggio originale, proteggendola dall'umidità e dall'esposizione diretta al sole.


### AVVERTENZE RIGUARDANTI LA VALVOLA A SFERA AUTOMATICA

La durata massima della vita utile della valvola è specificata nella norma EN ISO 16136 ed è stata verificata in fabbrica mediante le prove di invecchiamento previste dalla norma.

La corretta installazione e uso della valvola, nonché il rispetto dei requisiti massimi di pressione e temperatura specificati nel presente manuale sono fondamentali per la salvaguardia della vita utile della valvola.

Il liquido convogliato deve essere compatibile con i materiali della valvola. Consultare la tabella di resistenza chimica pubblicata nel sito di Cepex o contattare l'ufficio tecnico.


Non è consigliabile l'uso di strumenti per l'apertura e la chiusura del controllo manuale della valvola.

 Prima di effettuare operazioni di manutenzione delle tubature o della valvola, assicurarsi che il sistema sia depressurizzato liberando la pressione e svuotando i tubi, nel rispetto delle regole di sicurezza specifiche di ogni elemento.

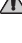
Prima dell'installazione verificare che la valvola non abbia subito danni e che contenga tutti i componenti necessari all'installazione.


Dopo lunghi periodi di inattività, verificare il lubrificante presente nei giunti e seguire le istruzioni per la manutenzione contenute nel presente manuale. Il lubrificante deve essere compatibile con i materiali della valvola.

È importante evitare la chiusura rapida delle valvole per eliminare la possibilità di colpi d'ariete che possono danneggiare il sistema. Quando la valvola è utilizzata come elemento finale di un impianto, tenere in considerazione i rischi dovuti al liquido e controllare la pressione e la temperatura, secondo le norme relative ad ogni prodotto.

 Effettuare tutti i collegamenti seguendo le istruzioni relative all'alimentazione elettrica contenute nel presente manuale. Assicurarsi che tutti i cavi siano collegati in modo corretto.

Nel caso in cui fosse necessario aprire la scatola di fine corsa, nel richiuderla verificare che sia posizionata in modo corretto per evitare qualsiasi contatto con l'acqua. Verificare anche che i connettori siano collocati in posizione corretta.

 In ogni momento evitare il contatto, anche accidentale, con le parti mobili della valvola attuata durante l'operazione e/o prima che sia arrivata a completa chiusura.


 Prima di iniziare una manutenzione elettrica, assicurarsi che i meccanismi di avviamento siano bloccati. È consigliabile seguire i passaggi qui indicati prima di effettuare qualsiasi alterazione della valvola attuata:

1.- Disconnettere l'alimentazione elettrica generale.

2.- Bloccare i dispositivi di avviamento del sistema.

3.- Assicurarsi che non sia presente tensione elettrica nei circuiti, inclusi i circuiti ausiliari e i servizi complementari.

Tutto quanto sopra segnalato deve essere considerato a titolo indicativo e non direttamente legato alle procedure di sicurezza, dal momento che in alcuni casi possono essere presenti norme di sicurezza specifiche.

 **IMPORTANTE:** In ragione della complessità dell'argomento, le istruzioni d'installazione, uso e manutenzione contenute nel presente manuale non possono riferirsi a tutte le possibili eventualità riguardanti il funzionamento e la manutenzione. Se avete bisogno di ulteriori istruzioni o se riscontrate un problema specifico, contattate il distributore o il produttore della valvola.

## 1. DEFINIZIONE

Valvola a sfera per l'interruzione del flusso in sistemi per la conduzione di fluidi.

Progettazione basata sulla norma EN ISO 16136 ai sensi della Direttiva 97/23/CE.

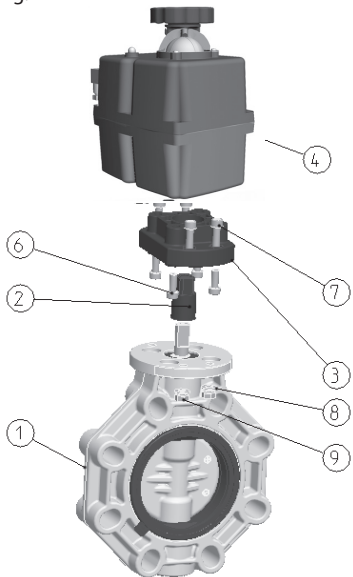
La valvola è disponibile con lenti in PVC-U, CPVC e PP-H e giunti in EPDM perox. e FPM. La scelta del materiale del corpo e dei giunti dipende dal tipo di liquido da trasportare e dalla temperatura di funzionamento del liquido, secondo le tabelle di resistenza chimica disponibili nel nostro sito web e i grafici di pressione/temperatura inclusi nel presente manuale.

L'attuatore elettrico controlla le posizioni della valvola (chiusa / aperta).

## 2. COMPONENTI

### 2.1 Componenti della valvola attuata

Fig. 1

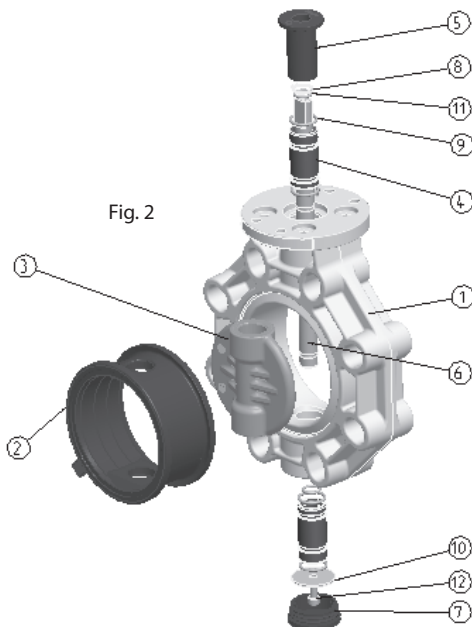


N	DESCRIZIONE	MATERIAL	Q
1	Valvola a farfalla	Body: PP-GR Disc: PVC-U/PP-H/CPVC	1
2	Pezzo di connessione	Phosphochromate Aluminium (DN65-DN150) AISI-304 (DN200-DN300)	1
3	Torretta di sostegno	PP-GR	1
4	Attuatore	PA housing	1
6	Viti DIN-912	Stainless steel AISI-304	4
7	Viti DIN-912	Stainless steel AISI-304	4
8	Rondelle DIN-925	Stainless steel AISI-304	4
9	Dado DIN-934	Stainless steel AISI-304	4

### 2.2 Componenti della valvola

N	PARTI	MATERIAL	DN50- DN200	DN250- DN300
1	Corpo	PP-GR	1	1
2	Guarnizione corpo	EPDM perox. / FPM	1	1
3	Lente	PVC-U / PPH / CPVC	1	1
4	Boccola	PP-GR	2	2
5	Boccola	PP-GR	1	1
6	Perno	Stainless steel AISI-630	1	1
7	Calotta	PP	1	1
8	Vite DIN-471	Stainless steel AISI-304	1	1
9	O-ring	EPDM / FPM	4	8
10	Rondelle	Stainless steel AISI-304	1	1
11	O-ring	EPDM / FPM	2	4
12	Vite DIN-912	Stainless steel AISI-304	1	1

Fig. 2



**3. VALVOLA A SFERA**

**3.1 VERIFICA DEL TIPO DI VALVOLA**

All'apertura della confezione, verificare che la valvola corrisponda al modello richiesto. Verificare che il modello dell'attuatore corrisponda al codice richiesto. Prestare particolare attenzione al voltaggio indicato sull'etichetta dell'attuatore, che deve corrispondere a quello dell'alimentazione elettrica (un voltaggio errato può arrecare danni irreparabili al dispositivo).

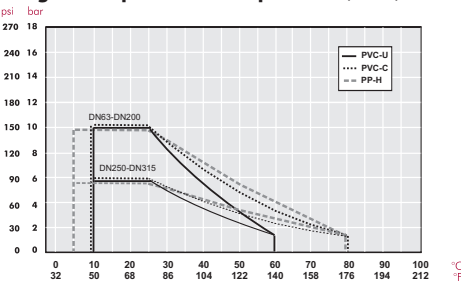
Tutte le valvole sono elettricamente e idraulicamente collaudate in fabbrica. Le valvole saranno sempre sostituite per giustificati motivi.

**3.2 GARANZIA**

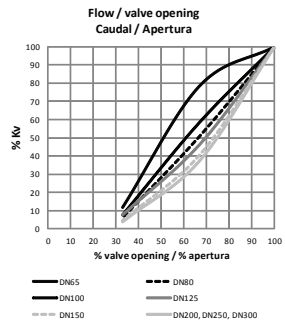
Il presente dispositivo è stato ampiamente verificato in fabbrica al fine di garantire che sia in perfette condizioni di funzionamento. La garanzia sarà applicabile sempreché la valvola sia stata correttamente installata e che non sia stata utilizzata in modo errato. Il dispositivo deve pertanto essere installato da personale qualificato.

**3.3 CARATTERISTICHE TECNICHE**

**Diagramma pressione/temperatura (G 3.1)**



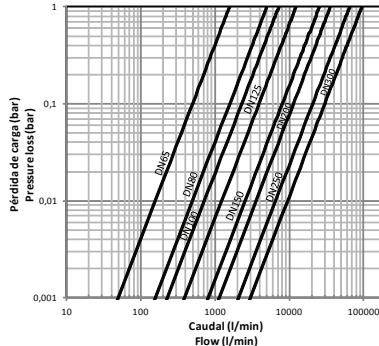
**Kv / % opening (G 3.2)**



**Perdite di carico (T3.3)**

D	DN	Kv (l/min)	Cv (GPM)
63-75 (2 1/2")	DN65	1568	110
90 (3")	DN80	4980	349
110 (4")	DN100	7212	505
125-140 (5")	DN125	12320	863
160 (6")	DN150	25447	1134
200-225 (8")	DN200	35778	2505
250 (10")	DN250	65222	4567
315 (12")	DN300	94660	6629

**Diagramma delle perdite di carico (G 3.3)**



**Coppia di apertura della valvola**

Coppia di apertura a pressione nominale (PN) e 20°C di fabbrica. L'installazione e i requisiti di funzionamento (pressione e temperatura) possono influire su tali valori.

L'attuatore richiesto per operazioni automatiche deve essere calcolato secondo alcuni fattori di sicurezza che sono stati determinati nei test effettuati in fabbrica.

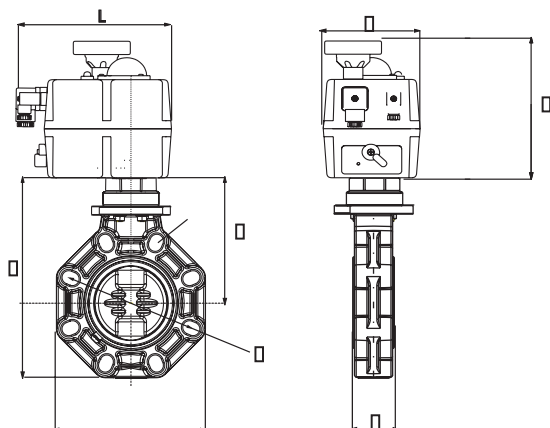
**Coppia di apertura (N·m)**

(T3.2)

	DN65	DN80	DN100	DN125	DN150	DN200	DN250	DN300
N·m	25	28	35	85	110	110	180	250
lb·inch	221	248	310	752	974	974	1593	2213

## 4. DIMENSIONI

Fig. 3



T 4.1 (mm)

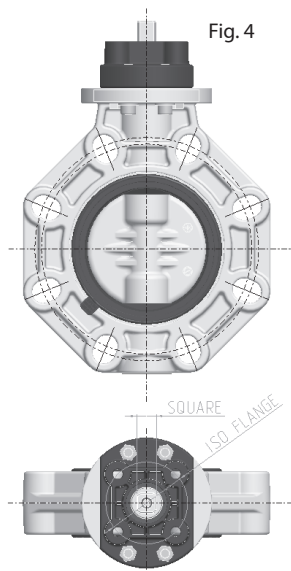
DN	A	B	E	F	H	K	HOLES
65	201	156	120	18	48	125-145	4
80	232	190	136	19	52	150-170	8
100	255	212	148	19	59	180-192	8
125	284	238	164	22	66	190-215	8
150	314	265	180	24	72	240	8
200	378	320	217	23	73	270-298	8
250	450	453	310	29	114	329-355	12
300	545	477	310	29	114	384-427	12

Vedere il manuale dell'attuatore per le dimensioni M, N e I.

## Dimensioni unioni (T4.2)

DN	ISO FLANGE	SQUARE (mm)
65	F07	17
80	F07	17
100	F07	17
125	F07	17 / 22
150	F07	17 / 22
200	F07/F10	17 / 22
250	F07/F10/F12	22 / 27
300	F07/F10/F12	22 / 27

Fig. 4



Valve design	Flanged dimensions	Valve connections	Other connections	Actuator coupling
ISO 16136: 2005	EN 558-1, ANSI B16.5 Class 150, JIS B2220, BS/E	EN 1090-1	ISO15494, ISO15493, ISO10931	EN/ISO 5211, NAMUR

**5. INSTALLAZIONE**

Prima di iniziare la procedura d'installazione, verificare di essere in possesso di tutte le parti necessarie e che i materiali, il tipo di collegamento e la pressione nominale siano adatti al sistema.

Per collegamenti incollati o saldati, assicurarsi anche che le parti da collegare siano dello stesso materiale e di utilizzare l'adesivo e gli strumenti corretti per la saldatura.

Per installare la valvola, attenersi alle raccomandazioni per la corretta installazione fornite nel sito web di Cepex, prestando una particolare attenzione alla dilatazione termica e all'allineamento della tubatura.

Riempendo di liquido le tubature, verificare che tutta l'aria sia stata spurgata dal sistema e che la pressione iniziale non superi la pressione di esercizio della valvola o dell'elemento del sistema con la minore pressione nominale.

Il montaggio della valvola dovrà essere effettuato utilizzando flange a norma ISO-DIN, ANSI, JIS o BS/E. Non è necessario usare un giunto piano per i manicotti ad anello di tenuta toroidale, essendo questo incorporato nella valvola. Rispettare la sequenza di serraggio delle viti nelle flange (Fig. 6) e la coppia massima di serraggio. E' importante utilizzare tutte le viti della flangia per assicurarsi che la valvola funzioni nel miglior modo possibile.

I manicotti in PP/PE per saldatura di testa devono essere smussati come indicato nel grafico (Fig. 7) e nella tabella (T5.2), per assicurare la corretta apertura e chiusura della saracinesca.

Installare la valvola dopo aver collegato i manicotti di giunzione e dopo aver lasciato trascorrere il tempo necessario per l'asciugatura, per evitare problemi con l'adesivo (entrata nel corpo della valvola).

Le flange devono essere correttamente centrate nella valvola (prestare particolare attenzione alle misure DN100-DN125 e DN200). Eventuali disallineamenti nell'impianto possono causare problemi di funzionamento della valvola.

Fig. 5

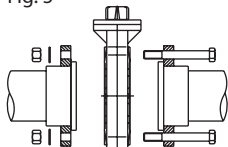
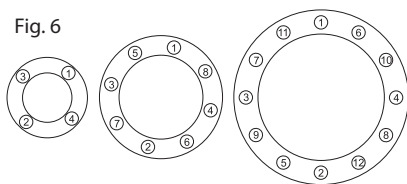


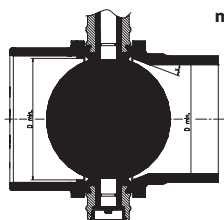
Fig. 6



**Screws and screw tightening torque T 5.1**

D	DN	inch	Screws (A2)	Torque (N·m)	Torque (inch·lbs)
63	50	-	4xM16x120	25	221
75	65	2 1/2"	4xM16x140	25	221
90	80	3"	8xM16x150	25	221
110	100	4"	8xM16x160	30	265
125	125	-	8xM16x170	35	310
140	125	5"	8xM16x170	35	310
160	150	6"	8xM20x200	40	354
200	200	-	8xM20x210	50	442
225	200	8"	8xM20x230	50	442
250	250	-	12xM20x270	80	708
280	250	10"	12xM20x270	80	708
315	300	12"	12xM20x310	80	708

Fig. 7 PP/PE sockets



**Pipe and chamfer measurements T 5.2**

DN	D min.	x
65	50.5	30°
80	70	30°
100	91.5	30°
125	113	30°
150	141	30°
200	191.5	20°
250	226	20°
300	296.5	20°



## 6. FUNZIONAMENTO DELL'ATTUATORE

La valvola attuata consiste di un attuatore elettronico montato su una valvola convenzionale.

**OPERAZIONE** Quando riceve un segnale elettrico, il motore passa sulla posizione "APERTO" o "CHIUSO" a seconda del segnale dell'interruttore, finché la camma interna si collega con il microswitch, dando il segnale di arresto al motore. Quando riceve un altro segnale elettrico, il motore gira in senso contrario.

- Motore reversibile, monofase, con indicatore visivo della posizione e segnale di uscita.

- Applicazione: Giro di 90° (o 180° nel caso di valvola a sfera a 3 vie).

- Disponibile in configurazione AC o DC. Entrambe le posizioni sono disponibili nello stesso attuatore. Seguire lo schema di collegamento sull'etichetta dell'attuatore.

- Operazione manuale d'emergenza. Collocando la leva sulla posizione M (Manuale) il motore sarà disconnesso automaticamente.

- Contatti aggiuntivi ausiliari per segnale di trasmissione di posizione.

- **AVVERTENZA.** Non collegare mai attuatori a basso voltaggio a fonti ad alto voltaggio. Analogamente, non collegare attuatori ad alto voltaggio a fonti a basso voltaggio. L'attuatore non funzionerà e potranno essere causati danni irreparabili al dispositivo.

### Caratteristiche J+J

- Temperatura controllata mediante termostato: un sistema di riscaldamento controllato da un termostato da 4W assicura una temperatura di funzionamento tra 20°C e 30°C (68°F - 86°F). Per il corretto funzionamento del sistema è importante mantenere la tensione in funzionamento attraverso l'attuatore.

- **Sicurezza:** L'attuatore è dotato di un sistema elettronico di chiusura automatica nel caso in cui sia superata la coppia massima. In tal caso, il dispositivo può essere controllato manualmente attraverso il volantino dell'attuatore.

- Un LED interno in funzionamento permanente indica che l'attuatore funziona in modo corretto. Se il LED lampeggia, significa che qualcosa non funziona regolarmente e l'alimentazione dell'attuatore si disconnette automaticamente.

Accessori opzionali:

- Sistema di posizionamento digitale

- Arresto di sicurezza. Batteria indipendente che alimenta l'attuatore in caso di interruzione della fornitura di energia elettrica.

### 5.1 RISPETTO DELLE NORMATIVE

Attuatore J+J

ISO 5211 - DIN 3337 (collegamento a valvola) EN 60204 (sicurezza)

EN 50081-1 / EN 50081-2 / EN 50082-1 / EN 50082-2 / EN 61000-4-2 / EN 61000-4-3 / EN 61000-4-4 / EN 61000-4-5 / EN 61000-4-6 / EN 61000-

4-11 (compatibilità elettromagnetica)

Attuatore Valpes:

ISO 5211 - DIN 3337 (collegamento a valvola)

EN 61000-6-2 / EN 61000-6-4 (compatibilità elettromagnetica) EN 60947-1 (1999) (sistema a basso voltaggio)

**7. OPERAZIONE E ISTRUZIONI DI MANUTENZIONE**

E' consigliabile controllare regolarmente lo stato del giunto del corpo, che può mostrare segni di fatica meccanica a causa della pressione o del contatto con il liquido. Il giunto del corpo deve essere lubrificato nell'area di contatto con la saracinesca (il grasso deve essere compatibile con i materiali del giunto e della saracinesca). E' consigliabile anche verificare regolarmente che i dadi di fissaggio della flangia siano serrati in modo corretto, come mostrato nella tabella della coppia di serraggio (T5.1). Raccomandiamo di forzare periodicamente il movimento per evitare il blocco della valvola durante lunghi periodi di tempo con la saracinesca in posizione di chiusura. E' consigliabile fare scorrere del liquido prima di manovrare la valvola.

**7.1 SOSTITUZIONE DEL GIUNTO DEL CORPO**

Se è necessario sostituire il giunto del corpo, procedere nel modo seguente:

- Assicurarsi che il sistema sia depressurizzato eliminando la pressione e svuotando i tubi e seguire le istruzioni di sicurezza specifiche per ogni prodotto. Verificare anche la temperatura del liquido per attenersi alle normative di sicurezza riguardanti la temperatura.
  - Ritirare la valvola dall'impianto.
  - Ritirare la leva, le viti (20), i dadi (21) e il set di separazione (17).
  - Ritirare la fascetta (8). Ritirare il tappo (7) e la vite (12).
  - Colpire l'asse (6) con un martello di gomma fino all'apparizione del guscio (4) dalla parte inferiore della valvola (Fig. 11).
  - Una volta fuoriuscito il guscio, ritirare l'asse (6), girarlo e reinserirlo (Fig. 12) dalla parte inferiore della valvola.
  - Martellare nuovamente fino all'emergere dei gusci (4 e 5) dalla parte superiore. Ritirare di nuovo l'asse.
  - Ritirare la saracinesca premendo nel senso del passaggio del fluido
  - Ritirare il giunto del corpo. Posizionare il nuovo giunto; sarà necessario piegarlo e allineare i fori con l'asse secondo la linguetta del giunto (Fig. 13).
- AVVERTENZA:** Prima di installare il nuovo giunto, verificare lo stato dei giunti dell'asse (9 e 11).

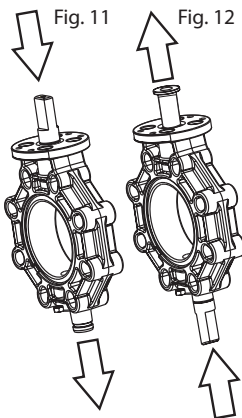
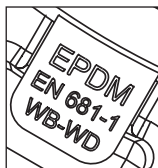


Fig. 13

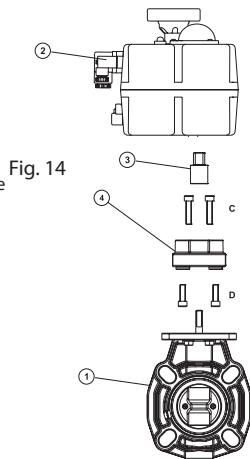


**8. MONTAGGIO E SMONTAGGIO DELL'ATTUATORE**

Se è necessario sostituire l'attuatore o la valvola, procedere nel modo seguente:

1. Spostare la valvola a farfalla sulla posizione di chiusura.
2. Depressurizzare e drenare il sistema.
3. Depressurizzare il mezzo di controllo.
4. Ritirare le linee dal mezzo di controllo dell'attuatore.
5. Ritirare le viti, le rondelle e i dadi (7, 8 e 9, Fig. 1).
6. Ritirare l'attuatore (4) e la flangia di fissaggio (5) della valvola (Fig. 14).
7. Ritirare le viti (6) per smontare l'attuatore dalla flangia di fissaggio.
8. Nel caso in cui si desideri sostituire l'attuatore con una leva, ritirare anche il guscio di connessione (3).

Per montare un nuovo attuatore o una nuova valvola, procedere effettuando i passaggi precedenti in senso inverso.



## 9. RICAMBI

DN	VALVOLA	KIT	JJ ACT.		KIT	VALPES ACT.	
			12-48V	80-240V		100-240V	15-30V
DN50-DN65	SEE TECHNICAL CATALOG TO KNOW THE SPECIFIC CODE	57498	30672	30677	46669	30683	30693
DN80		35901	30672	30677	46670	30683	30693
DN100		35901	46653	46654	46670	30683	30693
DN125		35904	30673	30678	54591	30684	30694
DN150		35904	30673	30678	54591	30684	30694
DN200		35908	30674	30679	35908	30685	30695
DN250		35912	30674	30679	35912	30685	30695
DN300		35912	30674	30679	35912	30685	30695


## 10. SOLUZIONE DI EVENTUALI PROBLEMI




## T 9.1

POSSIBILE PROBLEMA	CAUSA	SOLUZIONE
La saracinesca non si apre o chiude completamente.	I manicotti non sono stati smussati in modo corretto.	Smontare la valvola e smussare i manicotti come indicato nella tabella T5.2.
	Materiali estranei nel compartimento (adesivo, etc.).	Smontare la valvola e verificare che non siano presenti ostruzioni nell'area di contatto tra la saracinesca e il giunto.
Coppia eccessiva di apertura o chiusura.	La valvola è stata inattiva per un lungo periodo di tempo.	Manipolare con una chiave ausiliare (non con la leva di plastica). Smontare la valvola e lubrificare il giunto.
	Temperature elevate e prodotti chimici possono danneggiare il materiale del giunto.	Verificare la compatibilità chimica e la temperatura di funzionamento dei materiali. Sostituire il giunto.
	Coppia eccessiva della flangia.	Serrare le flange come indicato nella tabella T5.1.
	Disallineamento tra manicotti e valvola.	Smontare la valvola e rimontarla con allineamento concentrico (attenersi al serraggio e alla sequenza corretti).
Tenuta stagna incompleta tra la valvola e i manicotti.	Disallineamento tra manicotti e valvola.	Smontare la valvola e rimontarla con allineamento concentrico (attenersi al serraggio e alla sequenza corretti).
	Coppia della flangia insufficiente.	Serrare le flange come indicato nella tabella T5.1.
Tenuta stagna incompleta nel giunto del corpo.	Resistenza chimica inadeguata. Temperatura fuori range. Eccesso di pressione. Elementi abrasivi.	Verificare il rispetto delle specifiche contenute nel presente documento.
	Giunto danneggiato.	Sostituire il giunto.
La valvola non apre o non chiude.	Mancanza di corrente.	Verificare la fonte di alimentazione all'attuatore.
La valvola non chiude completamente.	La coppia dell'attuatore non è ben regolata con quella della valvola.	Verificare le regolazioni secondo il manuale dell'attuatore.
	La coppia della valvola è aumentata rispetto al valore calcolato.	Verificare la valvola: possibili ostruzioni della sfera o malfunzionamento.

**Wichtig:** Diese Bedienungsanleitung enthält wichtige Informationen über die Sicherheitsmaßnahmen, die bei der Installation und Inbetriebnahme der Armatur durchgeführt werden müssen. Daher ist es wichtig, dass der Anwender diese Anleitung liest, bevor das Produkt installiert und verwendet wird.


Um das pneumatisch betätigte Ventil optimal zu nutzen, wird empfohlen, die folgende Anleitung sorgfältig zu lesen.

Diese Symbole  weisen auf mögliche Gefahren hin, wenn die hier beschriebenen Hinweise nicht befolgt werden.

-  **GEFAHR:** Gefahr eines Stromschlags. Wenn die Anleitung nicht befolgt wird, kann es zu einem Stromschlag kommen.
-  **GEFAHR:** Wenn die Anleitung nicht befolgt wird, kann es zu Personen- und/oder Sachschäden kommen.
-  **WARNUNG:** Wenn die Anleitung nicht befolgt wird, kann es zu Schäden am automatischen Ventil oder an der Armatur kommen.

### ALLGEMEINE SICHERHEITSHINWEISE

Die in dieser Anleitung beschriebenen Ventile wurden entwickelt, um einen korrekt funktionierenden Flüssigkeitskreislauf in allen Arbeitsphasen sicherzustellen.

-  Die Armatur muss gemäß der spezifischen Anleitung installiert werden. Die Sicherheitshinweise müssen immer befolgt werden. Jede Veränderung des Antriebs bedarf einer vorherigen Genehmigung des Herstellers. Die zugelassenen Ersatz- und Zubehörteile gewährleisten eine erhöhte Sicherheit. Der Ventilhersteller schließt jegliche Haftung für Schäden aus, die durch die Verwendung von nicht zugelassenen Ersatz- oder Zubehörteilen entstehen.

Während des Betriebs stehen die elektrischen oder elektronischen Komponenten unter Spannung. Es darf erst an dem automatischen Ventil oder anderen Teilen gearbeitet werden, wenn der Startmechanismus unterbrochen wurde.

Der Nutzer muss sicherstellen, dass alle Montage- und Wartungsarbeiten von autorisiertem und qualifiziertem Personal durchgeführt werden und dass das Personal diese Installations- und Betriebsanleitung sorgfältig gelesen hat.

Die Betriebssicherheit des pneumatisch betätigten Ventils kann nur garantiert werden, wenn die Installations- und Betriebsanleitung exakt eingehalten wird. Die Spannungsgrenzen dürfen keinesfalls überschritten werden.

Bei Funktionsfehlern oder Betriebsstörungen kontaktieren Sie bitte einen Werksvertreter in Ihrer Nähe oder den technischen Kundendienst des Herstellers. Vermeiden Sie Stöße während des Transports, da dadurch der Ventilkörper oder der Mechanismus des Ventils beschädigt werden kann.

Bewahren Sie das Ventil in der Originalverpackung auf und schützen Sie es vor Feuchtigkeit und direkter Sonneneinstrahlung.

### WARNHINWEISE FÜR DEN PNEUMATISCH BETRIEBENEN KUGELHAHN


Die maximale Lebensdauer dieses Ventils ist in der Norm EN ISO 16136 angegeben. Die Lebensdauer wurde im Werk mithilfe von in der Norm definierten Tests zum Alterungsverhalten geprüft.

Die korrekte Installation und der korrekte Betrieb des Ventils sowie die Einhaltung der maximalen Druck- und Temperaturbedingungen, die in dieser Anleitung angeführt sind, sind entscheidend, um die Lebensdauer des Ventils zu erhalten.

Die geführte Flüssigkeit muss mit allen Materialien des Ventils kompatibel sein. Sehen Sie in der Tabelle für Chemikalienbeständigkeit nach, die auf der Webseite von Cepex verfügbar ist, oder wenden Sie sich an die technische Abteilung.


Der Einsatz von Werkzeugen zum Öffnen oder Schließen der manuellen Ventilsteuerung wird nicht empfohlen.

Bevor Sie irgendwelche Wartungsarbeiten an den Rohren oder dem Ventil durchführen, müssen Sie sicherstellen, dass das System drucklos ist. Lassen Sie dazu den Druck entweichen und entleeren Sie die Rohre, gemäß den spezifischen Sicherheitsbestimmungen der entsprechenden Elemente.


-  Überprüfen Sie das Ventil vor der Installation auf Schäden und stellen Sie sicher, dass es alle notwendigen Teile für die Installation enthält.

Wenn die Armatur längere Zeit nicht benützt wurde, überprüfen Sie das Schmiermittel der O-Ringe und befolgen Sie die Wartungshinweise in dieser Anleitung. Das Schmiermittel muss mit den Materialien des Ventils kompatibel sein.

Es ist wichtig, ein schnelles Schließen der Ventile zu vermeiden, um Flüssigkeitsschläge zu verhindern, die das System beschädigen können.

-  Wenn das Ventil bei einer Installation als Endarmatur eingesetzt wird, müssen die Risiken der Flüssigkeit berücksichtigt und der Druck und die Temperatur kontrolliert werden, gemäß den Sicherheitsstandards des jeweiligen Produkts.

Befolgen Sie bei allen Anschlüssen die Anweisungen in Bezug auf die Stromversorgung, wie in dieser Anleitung beschrieben. Stellen Sie sicher, dass alle Kabel korrekt angeschlossen sind.


-  Wenn die Endschalterbox geöffnet werden muss, stellen Sie beim erneuten Schließen sicher, dass sie korrekt positioniert ist und jeder Kontakt mit dem Wasser vermieden wird. Überprüfen Sie ebenfalls, ob die Anschlüsse korrekt positioniert sind.

-  Vermeiden Sie zu jeder Zeit den Kontakt – einschließlich unbeabsichtigter Kontakte – mit den beweglichen Teilen des elektrisch betätigten Ventils während des Betriebs und/oder bevor es vollständig gestoppt hat.

Stellen Sie sicher, dass die Startmechanismen blockiert sind, bevor Sie irgendeine elektrische Wartungsarbeit beginnen. Es ist empfehlenswert, die folgenden Schritte zu befolgen, bevor Sie irgendeine Veränderung an dem elektrisch betätigten Ventil durchführen:

1. - Von der Stromversorgung trennen.
2. - Die Startmechanismen des Systems blockieren.
3. - Spannungsfreiheit der Kreisläufe sicherstellen, einschließlich der Nebenkreisläufe und Zusatzdienste.

Alle oben genannten Angaben sind als Hinweis zu verstehen und nicht direkt mit den Sicherheitsvorkehrungen verknüpft, da es in einigen Fällen spezielle Sicherheitsnormen geben kann.

-  **WICHTIG:** Aufgrund der Komplexität des Themas sind die hier enthaltenen Anleitungen zu Installation, Gebrauch und Wartung nicht dazu gedacht, alle denkbaren Service- und Wartungsszenarien abzudecken. Wenn Sie weitere Anleitungen benötigen oder spezielle Probleme auftreten, wenden Sie sich bitte an Ihren Händler oder den Hersteller des Ventils.

## 1. DEFINITION

Kugelhahn zur Unterbrechung des Medienstroms in einem System zur Handhabung von Flüssigkeiten.

Das Design basiert auf der Norm EN ISO 16136, gemäß der Richtlinie 97/23/EC.

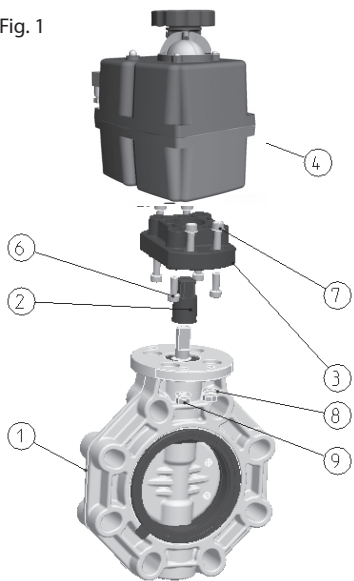
Das Ventil ist mit einem Klappen aus PVC-U, CPVC und PP-H und Dichtungen aus EPDM perox. und FPM verfügbar. Die Auswahl des Materials des Körpers und der Dichtungen ist von der zu transportierenden Flüssigkeit sowie von der Arbeitstemperatur der Flüssigkeit abhängig, gemäß der Tabelle für Chemikalienbeständigkeit, die auf unserer Webseite abrufbar ist, und den Druck-/Temperaturgrafiken in dieser Anleitung.

Der elektrische Antrieb steuert die Positionen des Ventils (geschlossen/offen).

## 2. KOMPONENTEN

### 2.1 Komponenten des pneumatisch betätigten Ventils

Fig. 1

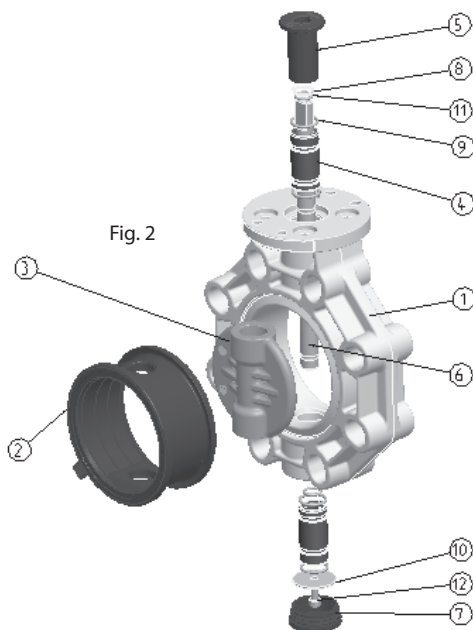


N	KOMPONENTEN	MATERIAL	Q
1	Absperrklappe	Body: PP-GR Disc: PVC-U/PP-H/CPVC	1
2	Kupplungsstück	Phosphochromate Aluminium (DN65-DN150) AISI-304 (DN200-DN300)	1
3	Zwischenstück	PP-GR	1
4	Stellantrieb	PA housing	1
6	Schraube DIN-912	Stainless steel AISI-304	4
7	Schraube DIN-912	Stainless steel AISI-304	4
8	U-Scheiben DIN-925	Stainless steel AISI-304	4
9	Mutter DIN-934	Stainless steel AISI-304	4

### 2.2 Komponenten des Ventils

N	TEIL	MATERIAL	DN50- DN200	DN250- DN300
1	Gehäuse	PP-GR	1	1
2	Klappendichtung	EPDM perox. / FPM	1	1
3	Scheiben	PVC-U / PPH / CPVC	1	1
4	Lagerbuchse	PP-GR	2	2
5	Lagerbuchse	PP-GR	1	1
6	Achse	Stainless steel AISI-630	1	1
7	Kappe	PP	1	1
8	Schraube DIN-471	Stainless steel AISI-304	1	1
9	O-ring	EPDM / FPM	4	8
10	U-Scheiben	Stainless steel AISI-304	1	1
11	O-ring	EPDM / FPM	2	4
12	Schraube DIN-912	Stainless steel AISI-304	1	1

Fig. 2



**3. ABSPERRKLAPPE**

**3.1 ÜBERPRÜFUNG DES VENTILTYP**

Öffnen Sie die Verpackung und überprüfen Sie, ob das Ventil dem von Ihnen bestellten Modell entspricht. Überprüfen Sie, ob der Code des Antriebs dem bestellten Modell entspricht. Achten Sie insbesondere darauf, ob die auf dem Etikett des Antriebs angegebene Spannung Ihrer Stromversorgung entspricht (eine inkorrekte Spannung kann irreparable Schäden an der Armatur verursachen).

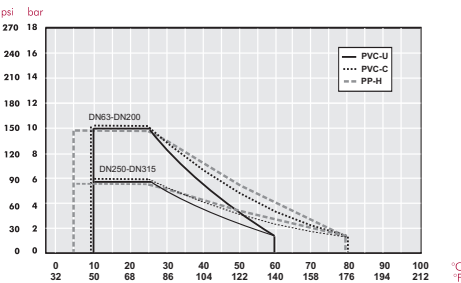
Alle Ventile werden im Werk elektrisch und hydraulisch geprüft. Die Ventile werden bei einem berechtigten Anspruch immer ausgetauscht.

**3.2 GARANTIE**

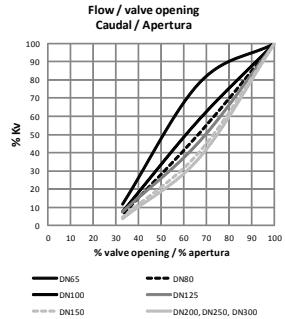
Diese Armatur wurde im Werk umfangreich geprüft, um eine einwandfreie Funktionalität zu gewährleisten. Diese Garantie ist gültig, wenn das Ventil ordnungsgemäß installiert wurde und es nicht auf irgendetwegen inkorrekte Art und Weise benutzt wurde. Aus diesem Grund muss die Armatur durch qualifiziertes Personal installiert werden.

**3.3 TECHNISCHE DATEN**

**Druck-Temperatur-Diagramm (G 3.1)**



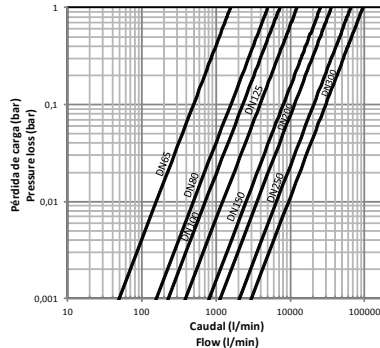
**Kv / % opening (G 3.2)**



**Druckverlust (T3.3)**

D	DN	Kv (l/min)	Cv (GPM)
63-75 (2 1/2")	DN65	1568	110
90 (3")	DN80	4980	349
110 (4")	DN100	7212	505
125-140 (5")	DN125	12320	863
160 (6")	DN150	25447	1134
200-225 (8")	DN200	35778	2505
250 (10")	DN250	65222	4567
315 (12")	DN300	94660	6629

**Druckverlus-Diagramm (G 3.3)**



**Drehmoment des Ventils**

Drehmomentwerte bei Nenndruck (PN) und 20 °C, wie bei neuen Produkten direkt aus dem Werk. Die Installation und die Arbeitsbedingungen (Druck und Temperatur) können sich auf diese Werte auswirken.

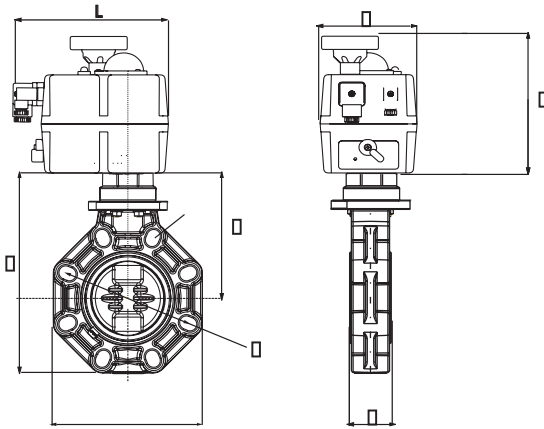
Der Antrieb, der für einen automatischen Betrieb erforderlich ist, muss gemäß einigen Sicherheitsfaktoren berechnet werden, die bei im Werk durchgeführten Tests ermittelt wurden.

**Drehmoment des Ventils (N-m) (T3.2)**

	DN65	DN80	DN100	DN125	DN150	DN200	DN250	DN300
N-m	25	28	35	85	110	110	180	250
lbfinch	221	248	310	752	974	974	1593	2213

4. DIMENSIONI

Fig. 3



T 4.1(mm)

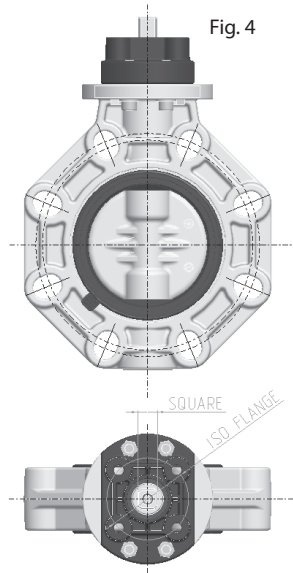
DN	A	B	E	F	H	K	HÖLES
65	201	156	120	18	48	125-145	4
80	232	190	136	19	52	150-170	8
100	255	212	148	19	59	180-192	8
125	284	238	164	22	66	190-215	8
150	314	265	180	24	72	240	8
200	378	320	217	23	73	270-298	8
250	450	453	310	29	114	329-355	12
300	545	477	310	29	114	384-427	12

Siehe Betriebsanleitung des Antriebs für die Abmessungen M, N und I.

ABMESSUNGEN (T4.2)

DN	ISO FLANGE	SQUARE (mm)
65	F07	17
80	F07	17
100	F07	17
125	F07	17 / 22
150	F07	17 / 22
200	F07/F10	17 / 22
250	F07/F10/F12	22 / 27
300	F07/F10/F12	22 / 27

Fig. 4



Valve design	Flanged dimensions	Valve connections	Other connections	Actuator coupling
ISO 16136: 2005	EN 558-1, ANSI B16.5 Class 150, JIS B2220, BS/E	EN 1090-1	ISO15494, ISO15493, ISO10931	EN/ISO 5211, NAMUR

**5. INSTALLATION**

Überprüfen Sie, bevor Sie mit der Installation beginnen, ob Sie alle notwendigen Teile für den Zusammenbau des Ventils besitzen und ob die Materialien, die Anschlusstypen und der Nenndruck für eine Installation angemessen sind.

Stellen Sie für Klebe- und Schweißverbindungen sicher, dass die zu verbindenden Teile aus demselben Material sind und Sie das richtige Klebemittel oder die richtigen Schweißwerkzeuge nutzen.

Zur Installation des Ventils befolgen Sie bitte die Hinweise für eine korrekte Installation, die auf der Webseite von Cepex zur Verfügung stehen. Achten Sie insbesondere auf die thermische Ausdehnung und die Ausrichtung der Rohre.

Überprüfen Sie, wenn Sie die Rohre mit Flüssigkeit füllen, dass die gesamte Luft aus dem System entwichen ist und dass der Anfangsdruck nicht den Betriebsdruck des Ventils oder des Elements mit dem geringsten Nenndruck im System übersteigt.

Das Ventil wird mit Flanschen, gemäß der Norm ISO-DIN, ANSI, JIS oder BS/E, montiert. Es ist nicht notwendig, eine Flachdichtung für die Anschlussmuffe zu verwenden, da sie bereits in dem Ventil integriert ist. Beachten Sie beim Flansch die Reihenfolge für das Festziehen der Schrauben (Abbildung 6) sowie das maximale Anzugsmoment. Es ist wichtig, dass alle Schrauben des Flansch genutzt werden, um sicherzustellen, dass das Ventil ordnungsgemäß funktioniert.

Die PP-/PE-Muffen für das Stumpfschweißen müssen angefast werden, siehe Grafik (Abbildung 7) und Tabelle (T5.2), um ein korrektes Öffnen und Schließen der Scheibe sicherzustellen.

Installieren Sie das Ventil erst nachdem die Muffen verklebt wurden und die Trocknungszeit vorbei ist, um Probleme mit dem Klebemittel zu verhindern (z. B. Eindringen in den Ventilkörper).

Die Flansche müssen im Ventil präzise zentriert sein (achten Sie insbesondere auf die Maße DN100-DN125 und DN200). Eine fehlerhafte Ausrichtung der Installation kann zu Problemen mit der Ventilfunktion führen.

Fig. 5

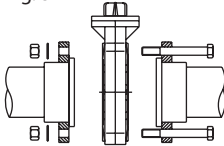
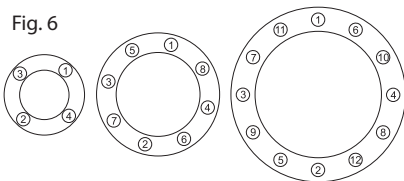


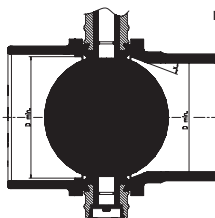
Fig. 6



**Screws and screw tightening torque T 5.1**

D	DN	inch	Screws (A2)	Torque (N·m)	Torque (inch·lbs)
63	50	-	4xM16x120	25	221
75	65	2 1/2"	4xM16x140	25	221
90	80	3"	8xM16x150	25	221
110	100	4"	8xM16x160	30	265
125	125	-	8xM16x170	35	310
140	125	5"	8xM16x170	35	310
160	150	6"	8xM20x200	40	354
200	200	-	8xM20x210	50	442
225	200	8"	8xM20x230	50	442
250	250	-	12xM20x270	80	708
280	250	10"	12xM20x270	80	708
315	300	12"	12xM20x310	80	708

Fig. 7 PP/PE sockets



**Pipe and chamfer measurements T 5.2**

DN	D min.	x
65	50.5	30°
80	70	30°
100	91.5	30°
125	113	30°
150	141	30°
200	191.5	20°
250	226	20°
300	296.5	20°



## 6. FUNKTIONSWEISE DES ANTRIEBS

Das elektrisch betätigte Ventil besteht aus einem elektrischen Antrieb, der auf einem konventionellen Ventil montiert ist.

**BETRIEB** Bei Empfang eines elektrischen Signal schaltet der Motor abhängig von dem Schaltsignal entweder auf „OFFEN“ oder „GESCHLOSSEN“, bis ein Kontakt zwischen der internen Nocke und dem Mikroschalter hergestellt ist und dadurch das Signal für das Anhalten des Motor gegeben wird. Wenn der Motor erneut ein elektrisches Signal empfängt, führt er eine Drehung in die entgegengesetzte Richtung durch.

- Einphasiger Umkehrmotor mit optischer Positionsanzeige und Ausgangssignal.

- Anwendung: 90°-Drehung (oder 180° bei 3-Wege-Kugelhähnen)

- Konfiguration mit AC oder DC möglich. Beide Positionen sind mit demselben Antrieb möglich. Schaltplan auf dem Etikett des Antriebs befolgen.

- Manueller Notbetrieb. Wenn der Griff auf M (Manuell) gestellt wird, schaltet sich der Motor automatisch ab.

- Zusätzliche Hilfskontakte zur Übertragung des Positionssignals.

- **WARNUNG:** Niederspannungsantriebe niemals an Hochspannungsquellen anschließen. Und Hochspannungsantriebe niemals an Niederspannungsquellen anschließen. Der Antrieb funktioniert in diesem Fall nicht und es können irreparable Schäden an der Armatur verursacht werden.

### **Merkmale J+J**

- Temperatur wird per Thermostat gesteuert: Integration eines thermostatgesteuerten Heizsystems von 4W, das eine Arbeitstemperatur zwischen 20 °C und 30 °C (68 °F bis 86 °F) sicherstellt. Damit das System korrekt funktioniert, ist es wichtig, dass die Spannung durch den Antrieb aufrechterhalten wird.

- Sicherheit: Der Antrieb verfügt über ein automatisches elektronisches Schließsystem, wenn das maximale Drehmoment überschritten wird. In diesem Fall kann die Armatur manuell über den Griff auf dem Antrieb betrieben werden.

- Eine interne Funktions-LED zeigt ununterbrochen an, ob der Antrieb korrekt funktioniert. Wenn sie zu blinken beginnt, deutet das auf irgendeine Unregelmäßigkeit hin; in diesem Fall wird die Zufuhr des Antriebs automatisch abgeschaltet.

Optionales Zubehör:

- Digitales Positionierungssystem

- Sicherheitskomponente. Unabhängiger Akku, der bei einem Stromausfall die Stromversorgung des Antriebs sicherstellt.

### 5.1 ERFÜLLUNG DER NORMEN

Antrieb J+J

ISO 5211 - DIN 3337 (Ventilanschluss) EN 60204 (Sicherheit)

EN 50081-1 / EN 50081-2 / EN 50082-1 / EN 50082-2 / EN 61000-4-2 / EN 61000-4-3 / EN 61000-4-4 / EN 61000-4-5 / EN 61000-4-6 / EN 61000-

4-11 (elektromagnetischen Verträglichkeit)

Valpes-Antrieb:

ISO 5211 - DIN 3337 (Ventilanschluss)

EN 61000-6-2 / EN 61000-6-4 (elektromagnetischen Verträglichkeit) EN 60947-1 (1999) (Niederspannungsgerät)

**7. BETRIEB UND WARTUNGSHINWEISE**

Es wird empfohlen, dass der Zustand der Dichtungen regelmäßig überprüft wird, da es aufgrund des Drucks oder des Kontakts mit der Flüssigkeit zu mechanischem Verschleiß kommen kann. Die Dichtung muss im Kontaktbereich mit der Scheibe eingefettet werden (das Schmiermittel muss mit den Materialien der Dichtung und der Scheibe kompatibel sein). Es wird ebenfalls empfohlen regelmäßig zu überprüfen, ob die Muttern zur Befestigung des Flansch korrekt angezogen sind, gemäß dem Anzugsmoment in der Tabelle (T5.1).

Es wird empfohlen, eine regelmäßige Bewegung zu erzwingen, um zu verhindern, dass das Ventil über lange Zeiträume hinweg durch eine geschlossene Scheibe blockiert ist. Es wird empfohlen, Flüssigkeit durchfließen zu lassen, bevor Sie das Ventil steuern

**7.1 AUSTAUSCH DER DICHTUNG**

Wenn die Dichtung ausgetauscht werden muss, befolgen Sie bitte diese Schritte:

- Stellen Sie sicher, dass das System drucklos ist. Lassen Sie dazu den Druck entweichen und entleeren Sie die Rohre, gemäß den spezifischen Sicherheitsbestimmungen der entsprechenden Elemente. Überprüfen Sie auch die Temperatur der Flüssigkeit, um die Sicherheitsstandards für die Temperatur zu befolgen.
- Entfernen Sie das Ventil aus der Installation.
- Entfernen Sie den Griff, die Schrauben (20), die Muttern (21) und die Klappe (17).
- Entfernen Sie den Ring (8). Nehmen Sie die Kappe (7) ab und entfernen Sie die Schraube (12).
- Klopfen Sie mit einem Gummihammer auf die Welle (6), bis das Lager (4) auf der Unterseite des Ventils sichtbar wird (Abbildung 11).
- Wenn das Lager herausgenommen wurde, entfernen sie die Welle (6), drehen Sie sie und setzen Sie sie erneut an der Unterseite des Ventils ein (Abbildung 12).
- Klopfen Sie, bis die Lager (4 und 5) an der Oberseite herauskommen.
- Entfernen Sie die Welle erneut.
- Entfernen Sie die Scheibe, indem Sie in Strömungsrichtung drücken.
- Entfernen Sie die Dichtung. Positionieren Sie eine neue Dichtung; sie muss so gefaltet und platziert werden, dass sie mit der Welle ausgerichtet ist, gemäß der Markierung an der Dichtung (Abbildung 13).

**WARNUNG:** Überprüfen Sie den Zustand der Wellendichtungen (9 und 11), bevor Sie eine neue Dichtung installieren.

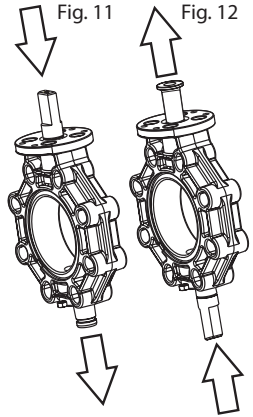
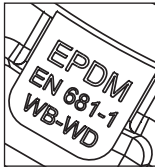


Fig. 13

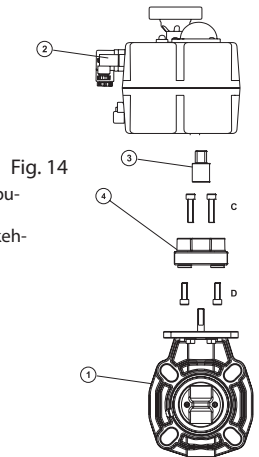


**8. EIN- UND AUSBAU DES ANTRIEBS**

Wenn der Antrieb oder das Ventil ausgetauscht werden muss, befolgen Sie bitte diese Schritte:

1. Die Absperrklappe schließen.
2. Lassen Sie den Druck entweichen und entleeren Sie das System.
3. Lassen Sie den Druck aus dem Steuermedium entweichen.
4. Entfernen Sie die Leitungen des Steuermediums vom Antrieb.
5. Entfernen Sie die Schrauben, Unterlegscheiben und Muttern (7, 8 und 9, Abbildung 1).
6. Trennen Sie den Antrieb (4) mit der Befestigungsschelle (5) von dem Ventil (Abbildung 14).
7. Entfernen Sie die Schrauben (6), um den Antrieb von der Befestigungsschelle zu trennen.
8. Wenn Sie den Antrieb durch einen Griff ersetzen möchten, entfernen Sie auch die Kupplungsbuchse (3).

Um einen neuen Antrieb oder ein neues Ventil zu installieren, führen Sie diese Schritte in umgekehrter Richtung durch.



## 9. ERSATZTEILE

DN	ABSPERRKLA-PPE	KIT	JJ ACT.		KIT	VALPES ACT.	
			12-48V	80-240V		100-240V	15-30V
DN50-DN65	SEE TECHNICAL CATALOG TO KNOW THE SPECIFIC CODE	57498	30672	30677	46669	30683	30693
DN80		35901	30672	30677	46670	30683	30693
DN100		35901	46653	46654	46670	30683	30693
DN125		35904	30673	30678	54591	30684	30694
DN150		35904	30673	30678	54591	30684	30694
DN200		35908	30674	30679	35908	30685	30695
DN250		35912	30674	30679	35912	30685	30695
DN300		35912	30674	30679	35912	30685	30695

## 10. PROBLEMLÖSUNG

## T 9.1

PROBLEM	MÖGLICHE URSACHE	LÖSUNG
Die Scheibe öffnet oder schließt sich nicht vollständig.	Die Muffen wurden nicht korrekt angefast.	Bauen Sie das Ventil aus und fasen Sie die Muffen gemäß Tabelle T5.2 an.
	Fremdkörper im Inneren (Klebstoff etc.).	Bauen Sie das Ventil aus und überprüfen Sie es auf Fremdkörper im Kontaktbereich zwischen Scheibe und Dichtung.
Zu großes Drehmoment beim Öffnen oder Schließen.	Das Ventil wurde über einen langen Zeitraum hinweg nicht benutzt.	Bedienen Sie das Ventil mit einem Hilfsschlüssel (nicht mit dem Plastikgriff). Das Ventil ausbauen und die Dichtungen schmieren.
	Hohe Temperaturen oder chemische Produkte können das Material der Dichtung beschädigen.	Überprüfen Sie die chemische Kompatibilität und die Arbeitstemperatur der Materialien.
	Tauschen Sie die Dichtung aus.	Flanschschrauben zu fest. Flansch gemäß Tabelle T5.1 festziehen.
	Fehlerhafte Ausrichtung von Muffen und Ventil.	Das Ventil ausbauen und mit einer konzentrischen Ausrichtung erneut einbauen (achten Sie auf das korrekte Anzugsmoment und die Reihenfolge).
Das Ventil ist an den Muffen nicht komplett dicht.	Fehlerhafte Ausrichtung von Muffen und Ventil.	Das Ventil ausbauen und mit einer konzentrischen Ausrichtung erneut einbauen (achten Sie auf das korrekte Anzugsmoment und die Reihenfolge).
	Flanschschrauben zu locker.	Flansch gemäß Tabelle T5.1 festziehen.
Die Dichtung des Ventils ist nicht komplett dicht.	Falsche Chemikalienbeständigkeit. Temperatur außerhalb des Bereichs. Zu hoher Druck. Abrasive Elemente.	Überprüfen, ob alle Spezifikationen, die in diesem Dokument angeführt sind, eingehalten werden.
	Dichtung beschädigt.	Tauschen Sie die Dichtung aus.
Das Ventil öffnet sich oder schließt sich nicht.	Keine Stromversorgung.	Stromquelle des Antriebs überprüfen.
Das Ventil schließt nicht vollständig.	Das Antriebsdrehmoment ist nicht gut auf das Drehmoment des Ventils abgestimmt.	Die Justierung gemäß der Anleitung für den Antrieb überprüfen.
	Das Drehmoment des Ventils ist über den berechneten Wert hinaus gestiegen.	Das Ventil überprüfen: Fremdkörper in der Kugel oder Fehlfunktion.

Av. Ramón Cuirans 40, Pl Congost P6  
La Garriga (BCN) - Spain  
Tel: +34 93 870 42 08  
[www.cepex.com](http://www.cepex.com)  
[cepex@cepex.com](mailto:cepex@cepex.com)